



TANDEMBOX antaro

Clear-cut and rectangular

Mutual trust develops and grows

A reliable product, bespoke services, stringent quality standards, award-winning design and consistent development – these are the foundations of a successful partnership.

Proven a million times over, TANDEMBOX antaro fits the bill in every way, and has done so for decades. Our double walled box system is not only an unrivalled technological success; it is also a milestone in our corporate history. The trust you place in our product confirms that we are on the right track. We have further developed TANDEMBOX antaro and streamlined the range. This means you need less warehouse space and can further improve inventory efficiency.

Inspire your customers with our box system and rest assured that we will not stand still. We are always looking to drive innovation and enhance established products.





Contents

- 04 Technology
- 06 Design
- 08 Colours
- 10 Range
- 12 Assembly and manufacturing
- 14 SERVICES
- 16 Applications
- 40 Ordering and planning information
- 90 moving ideas



Proven a million times over – TANDEMBOX cabinet profile

All TANDEMBOX antaro applications are based on the tried and tested TANDEMBOX cabinet profile. Its feather-light glide has impressed users for decades. Low-friction cylindrical nylon rollers are designed to withstand loads of 30 and 65 kg and deliver top quality motion for the lifetime of the furniture. This promise is guaranteed by rigorous quality controls that go beyond legal requirements and international standards.

Opening and closing ease

Motion technologies by Blum ensure top quality motion and ease of use day in, day out. Be it mechanical or electrical – drawers and pull-outs equipped with Blum motion support systems seem to open and close by themselves.



mechanical
soft close

BLUMOTION

by Blum



electrical
opening &
soft close

SERVO-DRIVE

by Blum



mechanical
opening &
soft close


**TIP-ON
BLUMOTION**

by Blum



Timeless – Rectangular design

TANDEMBOX antaro is characterised by its clear-cut design and rectangular gallery. This means you can carry minimalist design through to pull-outs and drawer sides.



The bevelled top edge of the drawer side (A design) continues the linear look of the rectangular gallery.

Harmonious – Two colours, one style

The minimalist design of TANDEMBOX antaro is based on clean lines and a sleek colour scheme. All nylon components are colour coordinated with the drawer sides. The colour range includes two options in steel: silk white and white aluminium.







**Multifaceted –
One solution,
countless options**

TANDEMBOX antaro gives you an entire range of pull-outs and drawers to choose from. Be it in the kitchen, bathroom or living area – TANDEMBOX antaro offers the right solution for any application.

Drawer sides also come in different heights, making it easy to turn customers' wishes into reality.

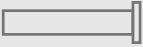
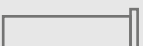
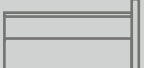
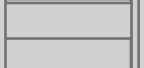
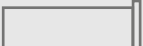
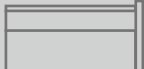
Nominal lengths 270 – 650 mm

Cabinet widths 275 – 1200 mm

Drawer side heights
 N (68.5 mm)
 M (83.6 mm)
 K (115.6 mm)

Basic components

Drawer side height | Back height

N 		
M 	C 	D 
K 		D 

Fast and straightforward – Assembly devices

Our goal is to provide you with the best possible service. This includes support with the manufacture of our products.

Practical assembly devices tailored to your production requirements optimise the assembly of Blum box systems. This also applies to smaller production runs.



You will find our assembly devices here:
www.blum/jigs

With BOXFIX plus, TANDEMBOX antaro components are pneumatically clamped and then screwed together quickly and efficiently. Easy setup and pre-set stops save time and improve assembly quality.



Simple and tool free – Assembly



Thanks to tried and tested INSERTA technology, the gallery and front can be assembled without tools.



The gallery rail can be quickly clipped onto the back.



Simple tilt adjustment allows you to align gaps in no time.



Creating TANDEMBOX antaro couldn't be easier!



Watch assembly video:
www.blum.com/172HZO

Useful and available 24/7 – Our services

Good services are there when you need them. As a trusted partner, we not only offer practical assembly devices but also provide services tailored to your production needs. Let us help you transform your ideas into fine furniture.



Marketing

Concept and planning, quotation

Design

Ordering

Marketing Media Library

Use our high-resolution images, videos and brochures for your promotion campaigns and gain inspiration – completely free of charge and around the clock.

Product and Cabinet Configurator

Plan, configure and save your projects online with ease – with our free Product and Cabinet Configurator. Create up-to-date parts lists for your offers to customers.

CAD/CAM Data Service

Our CAD/CAM Data Service provides comprehensive data for your software. You will find an overview of our interface partners on our homepage.

Distributor interface

Transfer the parts list produced by our Product and Cabinet Configurator directly to the online shops of selected distributors and simply save your projects under “My projects”.



Manufacturing

MINIPRESS with EASYSTICK
Our configurators provide you with production drawings or the BXF format so that you can transfer your planning results to MINIPRESS with EASYSTICK. We also offer templates and assembly devices to support you with manufacturing.

Delivery and installation

EASY ASSEMBLY app
Use our EASY ASSEMBLY app to install and adjust our fittings quickly and efficiently. The app contains assembly instructions and videos for all our products.

After sales service

Personal consultation
We provide personal after-sale support. Your contact at Blum will be happy to answer any questions you might have about our products and services.



High fronted pull-out
height C with gallery



Drawer height N



High fronted pull-out height D with gallery

Organisation and visibility – Inner dividing system

ORGA-LINE

The high-quality inner dividing system works wonders on the interiors of drawers and high fronted pull-outs. Whether chopping boards, cutlery, bottles or pots and pans, all items are held securely and immediately to hand. Give yourself clear visibility and tailor your storage space to your needs.



Our range at a glance:
www.blum.com/orgaline1







Drawer height M



SPACE TWIN

Top: Drawer height M

Bottom: High fronted pull-out height D with gallery



High fronted pull-out height C with gallery



High fronted pull-out height D with gallery



Sink pull-out height C with gallery



Drawer and inner drawer height M



High fronted pull-out height C with gallery



Extra storage – One system, multiple solutions

TANDEMBOX antaro allows you to implement clever cabinet solutions that provide practical storage space. SPACE STEP, for example, creates additional storage in the cabinet plinth and makes it easier to reach items in wall cabinets. SPACE TWIN and the U-shaped sink pull-out make full use of every inch of space available. And the SPACE TOWER larder unit provides ample space and easy accessibility to all storage items.





SPACE TOWER – Larder unit

The ultimate solution for larder units: ample storage space, inner pull-outs that can be tailored to your storage space needs and access to items from all three sides. This is the convenient and ergonomic way to store provisions. Thanks to full extension, you have easy access to all contents from the left, right and even from the front.



Inner pull-out height C



Inner pull-out height D



SPACE TOWER comes in all heights, widths and depths. In other words, it can be tailored to your personal storage space requirements.

SPACE STEP – Plinth solution

Nice and high

You have to use every inch of space in compact homes. SPACE STEP allows you to use the space right up to the ceiling. The new plinth solution gives users easy access to the top shelves of wall cabinets.





Find out more about SPACE STEP here:
www.blum.com/spacestep



Nice and practical

You need the right furniture for customers who want to store lots of things. SPACE STEP not only allows you to use higher cabinets, but also creates extra storage space in the toe kick of base units. Two solutions rolled into one.





Sink cabinet – Don't waste an inch of space

Organise your under-sink space

The U-shaped pull-out puts the space to the left and right of the sink to best possible use. It's ideal for clearing away sponges, washing-up liquid and tabs. This pull-out is recommended for cabinet widths of 900 mm or more.

Extra storage space

An additional inner pull-out provides plenty of space for cleaning utensils such as sponges, cleaning cloths and bin liners.

Nice and clean

The full extension makes it easy to throw away waste, empty and clean waste bins. Practical inner dividing systems such as ORGA-LINE ensure that cleaning products are held securely.

SPACE TWIN – Narrow cabinets

A practical solution for small storage spaces

Narrow cabinets turn tiny kitchen spaces into valuable storage. Blum's SPACE TWIN with diagonally offset runners creates additional storage space – without compromising stability or quality of motion. This is the ideal place to keep narrow items such as bottles, chopping boards, spices and baking trays.



Find out more about SPACE TWIN here:
www.blum.com/spacetwin

TANDEMBOX also looks good in the bathroom



High fronted pull-out height C with gallery



Drawer height K with
inner drawer height M

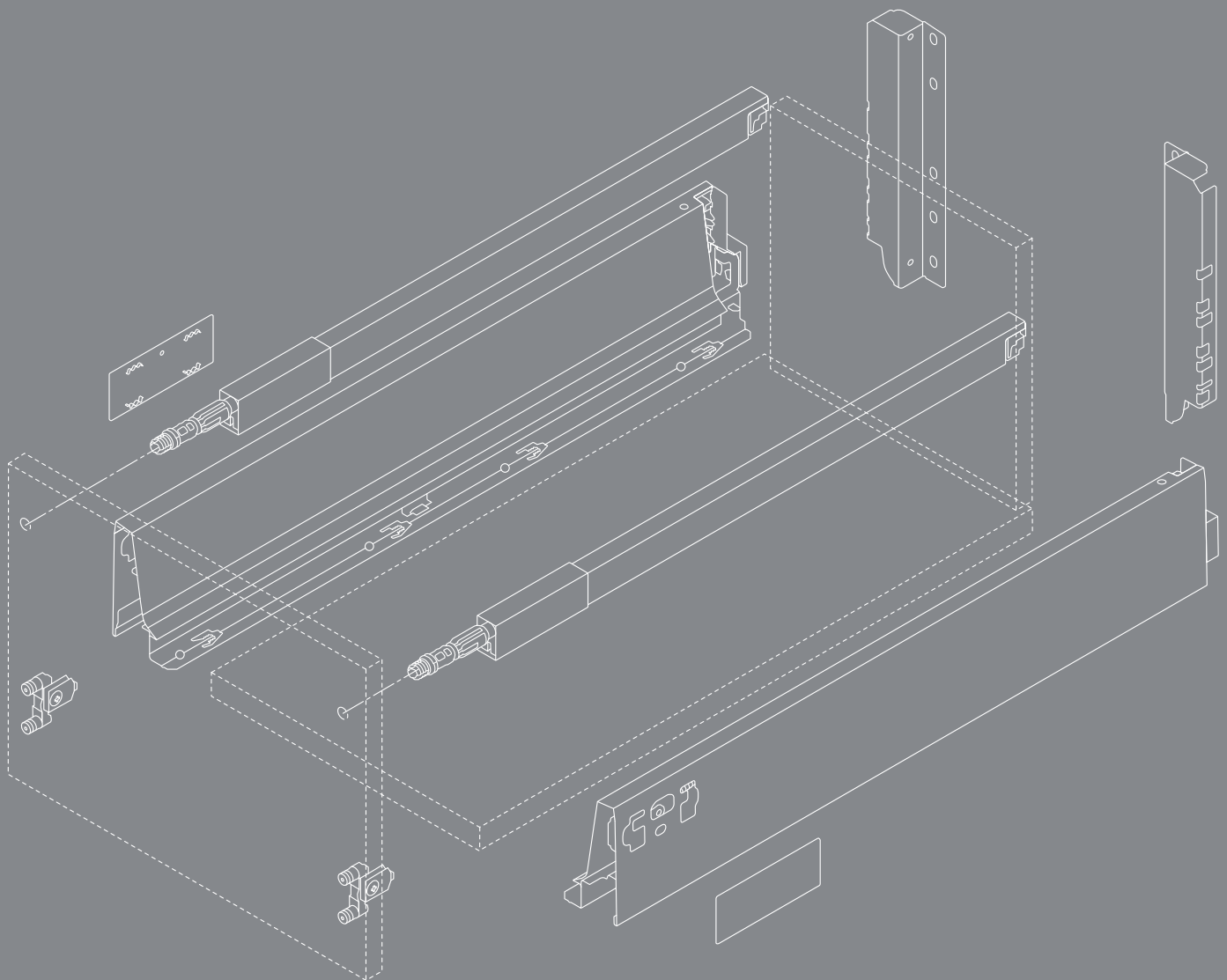


High fronted pull-out height C with gallery




Inner pull-out height C with gallery

Ordering and planning information



Drawer



Height N 82.5 mm **42**

Height M 98.5 mm **44**

Height K 130.5 mm **48**


Inner drawer



Height M 106 mm **46**

Height K 136.5 mm **50**

High fronted pull-out



Height C 192 mm **52**


Height D 224 mm **58**

Height D with drawer side K 224 mm **62**

Height C with aluminium frame 192 mm **56**

Height D with aluminium frame 224 mm **66**

Inner pull-out




Height C 192 mm **54**

Height D 224 mm **60**

Height D with drawer side K 224 mm **64**

Sink pull-out



Height C 192 mm **68**

Height D 224 mm **70**

TIP-ON BLUMOTION	72
Cabinet profile fixing	78
Steel back	79
Flexible gallery fixing	80
Front/base stabiliser	81
Assembly, adjustment and removal	83

Colour

SW	Silk white
R9006	RAL 9006 grey (white aluminium)
WGR	White grey
R7037	RAL 7037 dust grey

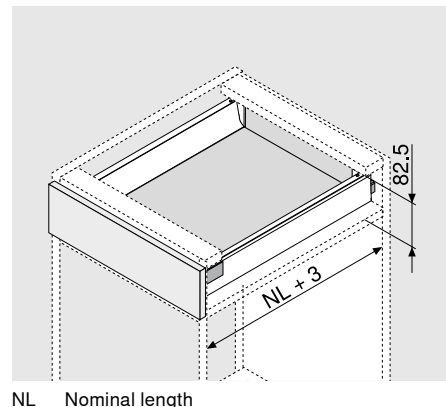
Product



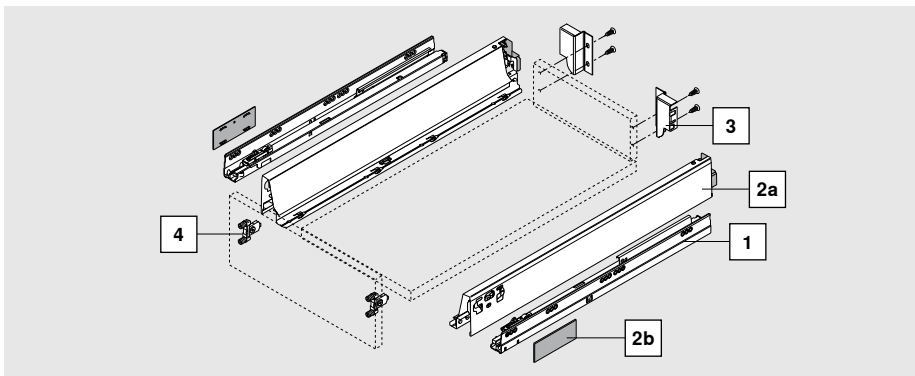
Description

- Concealed, guided full extension
- Tool-free front assembly
- 2-dimensional front adjustment
- With integrated BLUMOTION, can be combined with SERVO-DRIVE or with TIP-ON BLUMOTION

Space requirement



Ordering information



1	Cabinet profiles left/right	
	Dynamic carrying capacity (kg)	BLUMOTION*
	Nominal length (mm)	30 kg
	400	578.4001M
	450	578.4501M
	500	578.5001M
	550	578.5501M

*Suitable for SERVO-DRIVE and TIP-ON BLUMOTION

2	Drawer side set	
	Colour options	SW R9006
	NL (mm)	Steel
	400	378N4002SA
	450	378N4502SA
	500	378N5002SA
	550	378N5502SA

Consisting of:

2a	1 x drawer side left/right
2b	2 x cover cap, stamped with Blum logo, custom printed from 1000 pcs

Ordering information

	3 Back fixing left/right		
	Colour options	SW	R9006
		Steel	
		Z30N000S.04	
	Steel back		79

	4 Front fixing bracket		
	INSERTA version	2x	ZSF.39A2
	Screw-on version	2x	ZSF.35A2
	Knock-in version	2x	ZSF.36A2

Planning

Space requirements in the cabinet	Front installation dimensions	Drilling distances – front – INSERTA knock-in assembly	Back installation dimensions
	<p>FA Front overlay</p>		

Cutting dimensions for 16 mm chipboard

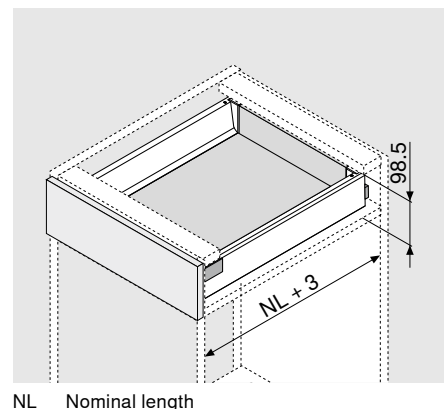
<p>B 69 mm LW - 87 mm</p>	
<p>Base Chipboard back NL - 24 mm Steel back NL - 22 mm LW - 75 mm</p>	

KB Cabinet width
LW Internal cabinet width
NL Nominal length

Product

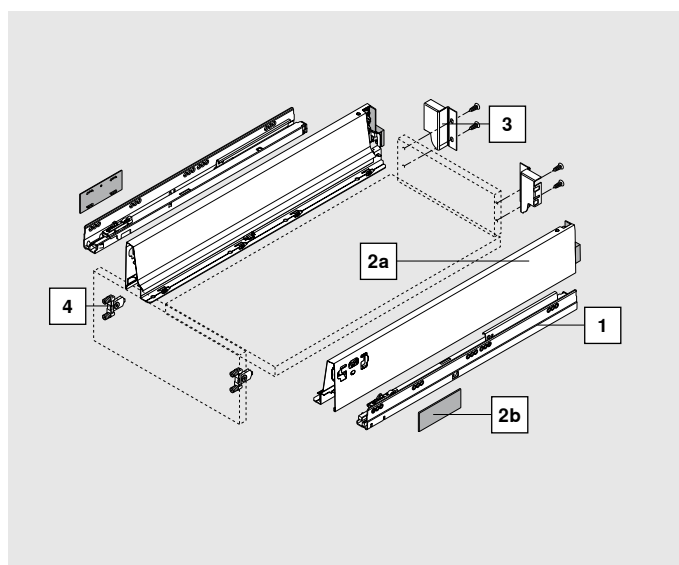
Description

- Concealed, guided full extension
- Tool-free front assembly
- 2-dimensional front adjustment
- With integrated BLUMOTION, can be combined with SERVO-DRIVE or with TIP-ON BLUMOTION

Space requirement

Ordering information

1	Cabinet profiles left/right		
	Dynamic carrying capacity (kg)		
	Nominal length NL (mm)	BLUMOTION*	
		30 kg	65 kg
	270	578.2701M	
	300	578.3001M	
	350	578.3501M	
	400	578.4001M	
	450	578.4501M	576.4501M
	500	578.5001M	576.5001M
	550	578.5501M	576.5501M
600	578.6001M	576.6001M	
650		576.6501M	

*Suitable for SERVO-DRIVE and TIP-ON BLUMOTION



2	Drawer side set	
	Colour options	SW R9006
	NL (mm)	Steel
	270	378M2702SA
	300	378M3002SA
	350	378M3502SA
	400	378M4002SA
	450	378M4502SA
	500	378M5002SA
	550	378M5502SA
	600	378M6002SA
650	378M6502SA	

Consisting of:

2a	1 x drawer side left/right
2b	2 x cover cap, stamped with Blum logo, custom printed from 1000 pcs

Ordering information

	3 Back fixing left/right		
	Colour options	SW	R9006
		Steel	
		Z30M000S.04	
	Steel back		79

	4 Front fixing bracket		
	INSERTA version	2x	ZSF.39A2
	Screw-on version	2x	ZSF.35A2
	Knock-in version	2x	ZSF.36A2

Planning

Space requirements in the cabinet	Front installation dimensions	Drilling distances – front – INSERTA knock-in assembly	Back installation dimensions
<p>95.5 65.5 37.5 min 33</p>	<p>32 47.5 9 15.5 FA 12</p> <p>FA Front overlay</p>	<p>$\varnothing 10^{+0.2}_{-0.1}$ 32 min 47.5 12</p>	<p>9 20 32</p>

Cutting dimensions for 16 mm chipboard

<p>B 84 mm LW - 87 mm</p>	<p>KB Cabinet width LW Internal cabinet width NL Nominal length</p>
<p>A Chipboard back NL - 24 mm Steel back NL - 22 mm LW - 75 mm</p>	

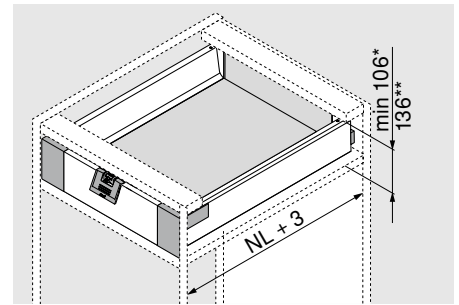
Product



Description

- Concealed, guided full extension
- Tool-free front assembly
- With integrated BLUMOTION, can be combined with SERVO-DRIVE or with TIP-ON BLUMOTION
- Inner drawers either with handle or handle and latch

Space requirement

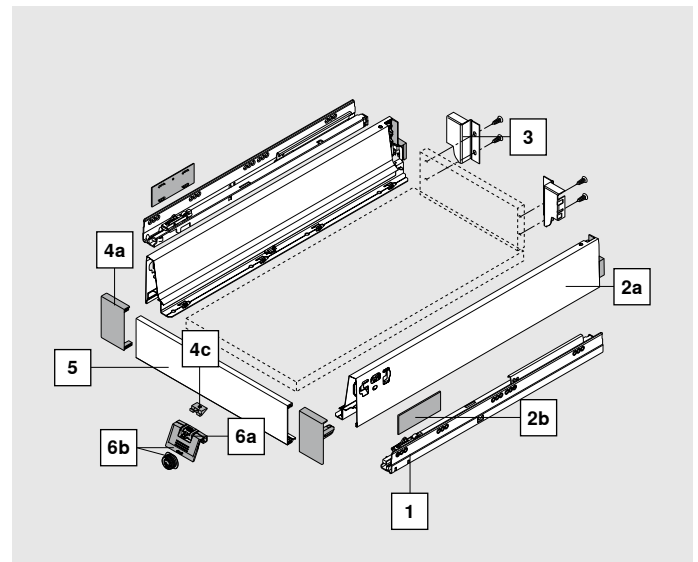


NL Nominal length
 * Min. space requirement for inner drawers with or without handles
 ** Inner drawers with easy access from above

Ordering information

1	Cabinet profiles left/right		
	Dynamic carrying capacity (kg)		
	Nominal length NL (mm)	BLUMOTION*	
		30 kg	65 kg
	270	578.2701M	
	300	578.3001M	
	350	578.3501M	
	400	578.4001M	
	450	578.4501M	576.4501M
	500	578.5001M	576.5001M
550	578.5501M	576.5501M	
600	578.6001M	576.6001M	
650		576.6501M	

*Suitable for SERVO-DRIVE and TIP-ON BLUMOTION



2	Drawer side set	SW	R9006
	Colour options		
	NL (mm)	Steel	
	270	378M2702SA	
	300	378M3002SA	
	350	378M3502SA	
	400	378M4002SA	
	450	378M4502SA	
	500	378M5002SA	
	550	378M5502SA	
600	378M6002SA		
650	378M6502SA		

Consisting of:

2a	1 x drawer side left/right
2b	2 x cover cap, stamped with Blum logo, custom printed from 1000 pcs

Ordering information

3 	Back fixing left/right		
	Colour options	SW	R9006
	Steel	Z30M000S.04	
	Steel back	79	

5 	Front piece		
	Colour options	SW	R9006
	Aluminium	Z31L1036A	
	For cutting to size		

4 	Front fixing left/right		
	Colour options	SW	WGR
	Nylon	ZIF.71M0	

6a 	Handle		
	Colour options	SW	WGR R7037
	Nylon	ZIF.80M5	

Consisting of:

4a	1 x front fixing left/right
4c	1 x locking piece

6b 	Handle		
	Colour options	SW/R7037	WGR/R7037 R7037
	Nylon	ZIF.80M7	

Planning

Space requirements in the cabinet

* Min. space requirement for inner drawers with or without handles
Without a handle, opening is only possible from the bottom

** Inner drawers with easy access from above

Front drilling distances for latch

Back installation dimensions

Cutting dimensions for 16 mm chipboard

B	Drawer back
84 mm	
LW - 87 mm	
A	Base
Chipboard back	
NL - 24 mm	
Steel back	
NL - 22 mm	
LW - 75 mm	

KB Cabinet width
LW Internal cabinet width
NL Nominal length

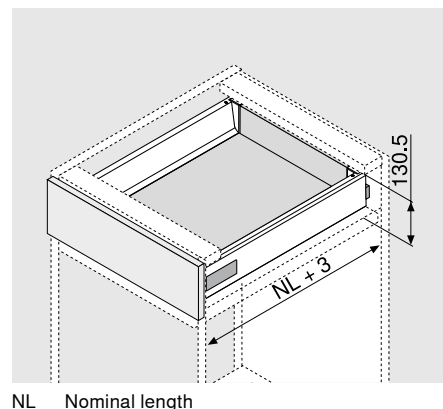
Front piece for cutting to size

$x = LW - 132$

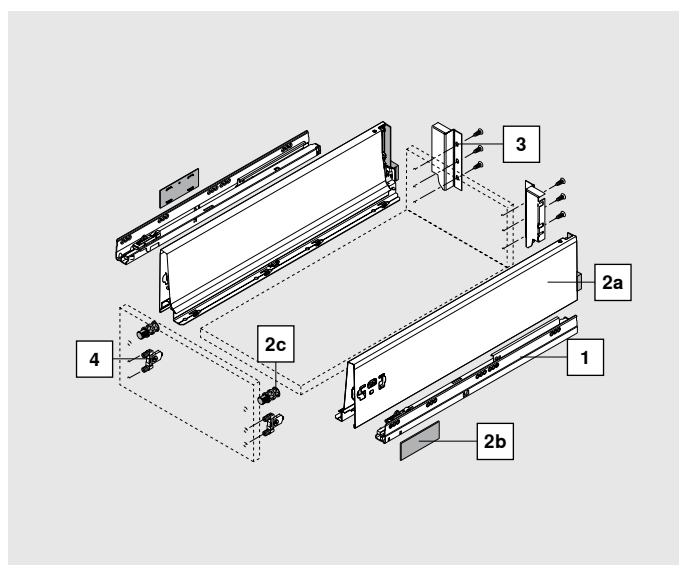
Product

Description

- Concealed, guided full extension
- Tool-free front assembly
- 2-dimensional front adjustment
- With integrated BLUMOTION, can be combined with SERVO-DRIVE or with TIP-ON BLUMOTION

Space requirement

Ordering information

1	Cabinet profiles left/right		
	Dynamic carrying capacity (kg)		
	Nominal length NL (mm)	BLUMOTION*	
		30 kg	65 kg
	270	578.2701M	
	300	578.3001M	
	350	578.3501M	
	400	578.4001M	
	450	578.4501M	576.4501M
	500	578.5001M	576.5001M
	550	578.5501M	576.5501M
600	578.6001M	576.6001M	
650		576.6501M	
*Suitable for SERVO-DRIVE and TIP-ON BLUMOTION			



2	Drawer side set	SW	R9006
	Colour options	Steel	
	NL (mm)		
	270	378K2702SA	
	300	378K3002SA	
	350	378K3502SA	
	400	378K4002SA	
	450	378K4502SA	
	500	378K5002SA	
	550	378K5502SA	
	600	378K6002SA	
650	378K6502SA		
Consisting of:			
2a	1 x drawer side left/right		
2b	2 x cover cap, stamped with Blum logo, custom printed from 1000 pcs		
2c	2 x positioning dowel		

Ordering information

	3 Back fixing left/right		
	Colour options	SW	R9006
		Steel	
		Z30K000S	
	Steel back		79

	4 Front fixing bracket		
	INSERTA version	2x	ZSF.39A2
	Screw-on version	2x	ZSF.35A2
	Knock-in version	2x	ZSF.36A2

Planning

Space requirements in the cabinet	Front installation dimensions	Drilling distances – front – INSERTA knock-in assembly	Back installation dimensions
<p>127.5 min 97.5 37.5 min 33</p>	<p>Ø 10 ^{+0.2}/_{-0.1} 32 32 47.5 9 15.5 FA 12</p> <p>FA Front overlay</p>	<p>32 32 32 min 47.5 12</p>	<p>9 22 32 32</p>

Cutting dimensions for 16 mm chipboard

<p>B 116 mm LW - 87 mm</p>	<p>KB Cabinet width LW Internal cabinet width NL Nominal length</p>
<p>A Chipboard back NL - 24 mm Steel back NL - 22 mm LW - 75 mm</br></p>	

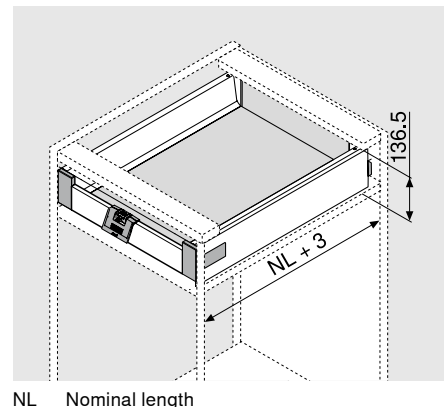
Product



Description

- Concealed, guided full extension
- Tool-free front assembly
- With integrated BLUMOTION, can be combined with SERVO-DRIVE or with TIP-ON BLUMOTION
- Inner drawers either with handle or handle and latch

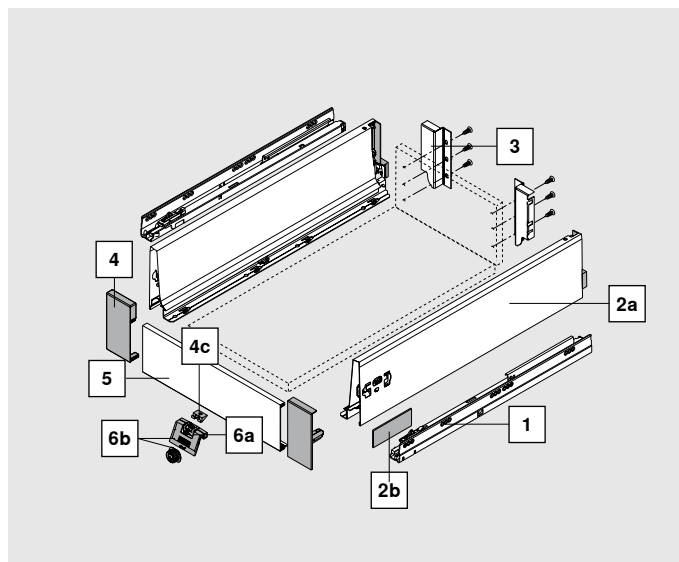
Space requirement



Ordering information

1	Cabinet profiles left/right		
	Dynamic carrying capacity (kg)		
	Nominal length NL (mm)	BLUMOTION*	
		30 kg	65 kg
	270	578.2701M	
	300	578.3001M	
	350	578.3501M	
	400	578.4001M	
	450	578.4501M	576.4501M
	500	578.5001M	576.5001M
	550	578.5501M	576.5501M
600	578.6001M	576.6001M	
650		576.6501M	

*Suitable for SERVO-DRIVE and TIP-ON BLUMOTION



2	Drawer side set	SW	R9006
	Colour options	Steel	
	NL (mm)		
	270	378K2702SA	
	300	378K3002SA	
	350	378K3502SA	
	400	378K4002SA	
	450	378K4502SA	
	500	378K5002SA	
	550	378K5502SA	
	600	378K6002SA	
650	378K6502SA		

Consisting of:

2a	1 x drawer side left/right
2b	2 x cover cap, stamped with Blum logo, custom printed from 1000 pcs
2c	2 x positioning dowel

Ordering information

3	Back fixing left/right		
	Colour options	SW	R9006
	Steel	Z30K000S	
	Steel back		79

5	Front piece		
	Colour options	SW	R9006
	Aluminium	Z31L1036A	
	For cutting to size		

4	Front fixing left/right		
	Colour options	SW	WGR
	Nylon	ZIF.71K0	

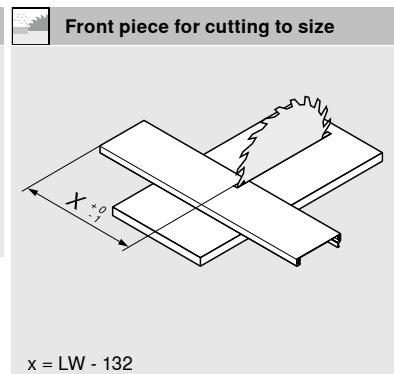
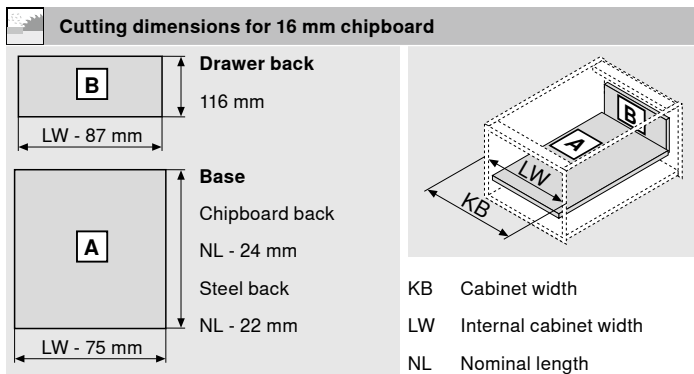
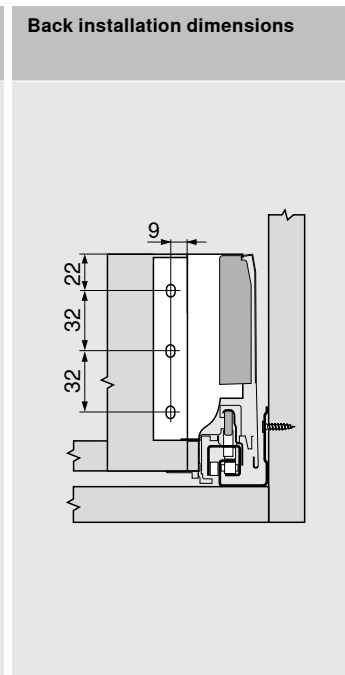
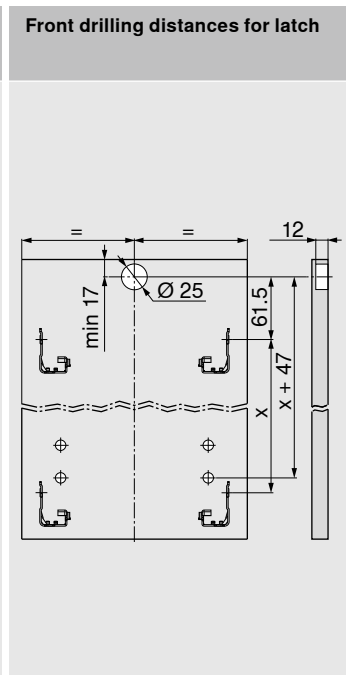
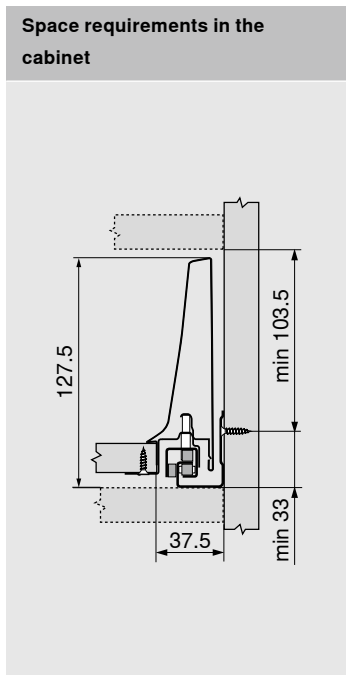
6a	Handle			
	Colour options	SW	WGR	R7037
	Nylon	ZIF.80M5		

Consisting of:

4a	1 x front fixing left/right
4c	1 x locking piece

6b	Handle			
	Colour options	SW/R7037	WGR/R7037	R7037
	Nylon	ZIF.80M7		

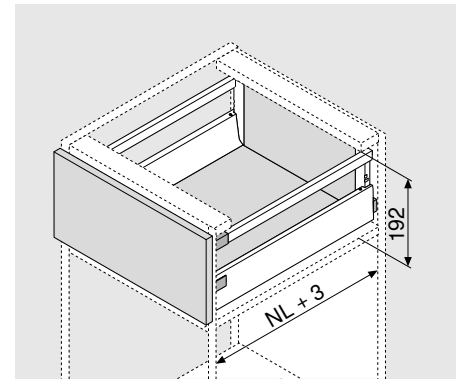
Planning



Product

Description

- With single gallery
- Concealed, guided full extension
- Tool-free front assembly
- 3-dimensional front adjustment
- With integrated BLUMOTION, can be combined with SERVO-DRIVE or with TIP-ON BLUMOTION

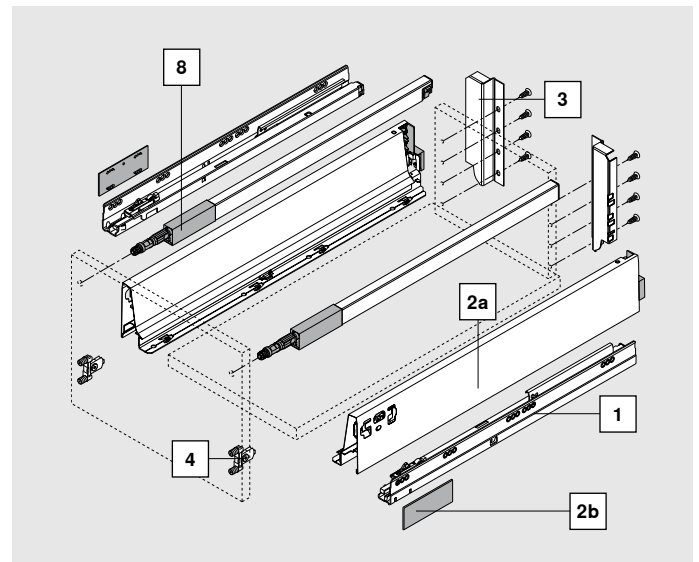
Space requirement


NL Nominal length

Ordering information

1	Cabinet profiles left/right		
	Dynamic carrying capacity (kg)		
	Nominal length NL (mm)	BLUMOTION*	
		30 kg	65 kg
	270	578.2701M	
	300	578.3001M	
	350	578.3501M	
	400	578.4001M	
	450	578.4501M	576.4501M
	500	578.5001M	576.5001M
	550	578.5501M	576.5501M
600	578.6001M	576.6001M	
650		576.6501M	

*Suitable for SERVO-DRIVE and TIP-ON BLUMOTION



2	Drawer side set	SW	R9006
	Colour options		Steel
	NL (mm)		
	270		378M2702SA
	300		378M3002SA
	350		378M3502SA
	400		378M4002SA
	450		378M4502SA
	500		378M5002SA
	550		378M5502SA
	600		378M6002SA
650		378M6502SA	

Consisting of:

2a	1 x drawer side left/right
2b	2 x cover cap, stamped with Blum logo, custom printed from 1000 pcs

Ordering information

	3 Back fixing left/right		
	Colour options	SW	R9006
	Steel	Z30C000S	
	Steel back	79	
	4 Front fixing bracket		
	INSERTA version	2x	ZSF.39A2
	Screw-on version	2x	ZSF.35A2
	Knock-in version	2x	ZSF.36A2

	8 Gallery left/right		
	Colour options	SW	R9006
	NL (mm)	Steel	
	270	ZRG.207RSIC	
	300	ZRG.237RSIC	
	350	ZRG.287RSIC	
	400	ZRG.337RSIC	
	450	ZRG.387RSIC	
	500	ZRG.437RSIC	
	550	ZRG.487RSIC	
600	ZRG.537RSIC		
650	ZRG.587RSIC		

Planning

Space requirements in the cabinet	Front installation dimensions	Drilling distances – front – INSERTA knock-in assembly	Back installation dimensions
	<p>FA Front overlay</p>		

Cutting dimensions for 16 mm chipboard

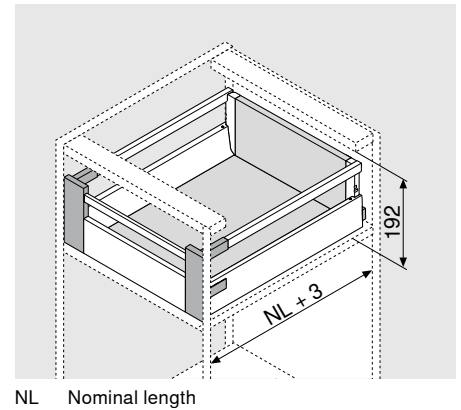
<p>B 167 mm LW - 87 mm</p>	
<p>A Chipboard back NL - 24 mm Steel back NL - 22 mm LW - 75 mm</p>	

KB Cabinet width
 LW Internal cabinet width
 NL Nominal length

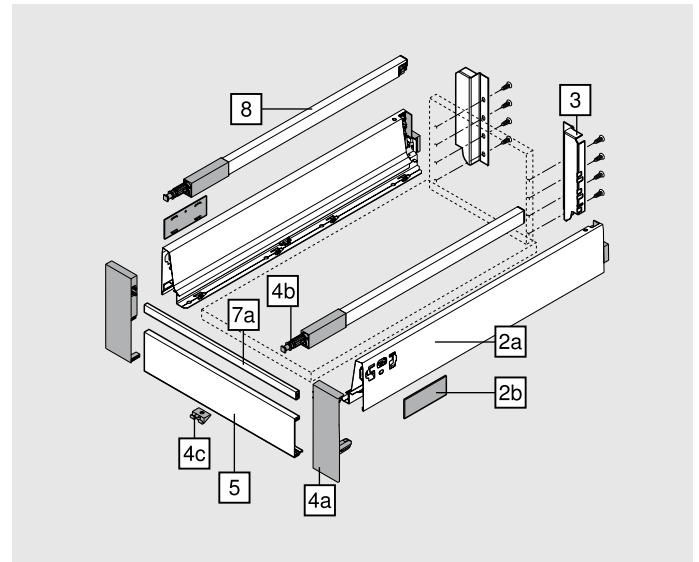
Product

Description

- With single gallery
- Concealed, guided full extension
- Tool-free front assembly
- 3-dimensional front adjustment
- With integrated BLUMOTION, can be combined with SERVO-DRIVE or with TIP-ON BLUMOTION

Space requirement

Ordering information

1	Cabinet profiles left/right		
	Dynamic carrying capacity (kg)		
	Nominal length NL (mm)	BLUMOTION*	
		30 kg	65 kg
	270	578.2701M	
	300	578.3001M	
	350	578.3501M	
	400	578.4001M	
	450	578.4501M	576.4501M
	500	578.5001M	576.5001M
	550	578.5501M	576.5501M
600	578.6001M	576.6001M	
650		576.6501M	
*Suitable for SERVO-DRIVE and TIP-ON BLUMOTION			



2	Drawer side set	SW	R9006
	Colour options	Steel	
	NL (mm)		
	270	378M2702SA	
	300	378M3002SA	
	350	378M3502SA	
	400	378M4002SA	
	450	378M4502SA	
	500	378M5002SA	
	550	378M5502SA	
	600	378M6002SA	
650	378M6502SA		
Consisting of:			
2a	1 x drawer side left/right		
2b	2 x cover cap, stamped with Blum logo, custom printed from 1000 pcs		

Ordering information

3 	Back fixing left/right		
	Colour options	SW	R9006
	Steel	Z30.C000S	
	Steel back	79	

7a 	Cross gallery		
	Colour options	SW	R9006
	Aluminium	ZRG.1046Z	
	For cutting to size		

4 	Front fixing left/right		
	Colour options	SW	WGR
	Nylon	ZIF.74C0	

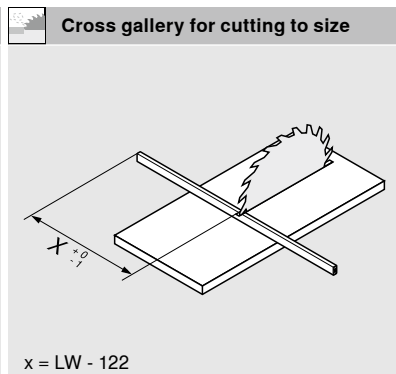
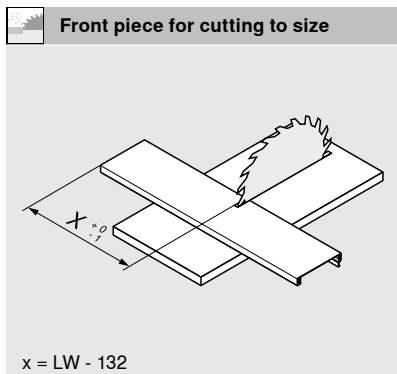
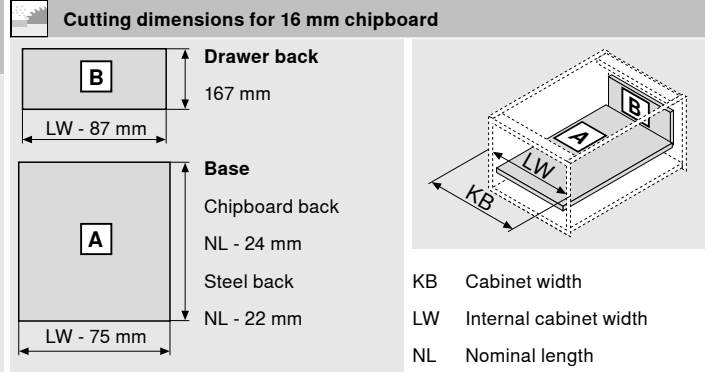
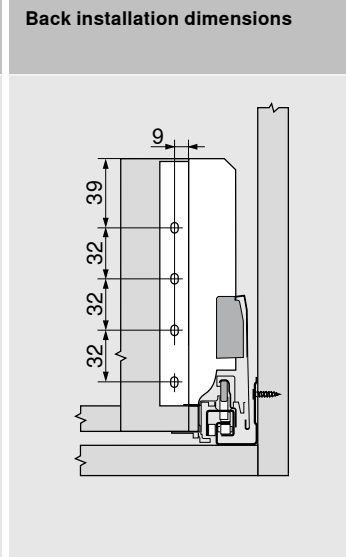
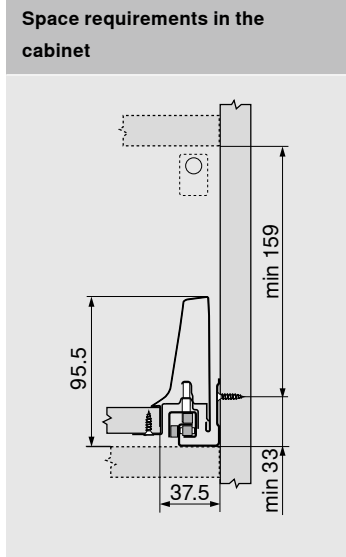
8 	Gallery left/right		
	Colour options	SW	R9006
	NL (mm)	Steel	
	270	ZRG.207RSIC	
	300	ZRG.237RSIC	
	350	ZRG.287RSIC	
	400	ZRG.337RSIC	
	450	ZRG.387RSIC	
	500	ZRG.437RSIC	
	550	ZRG.487RSIC	
	600	ZRG.537RSIC	
650	ZRG.587RSIC		

Consisting of:

4a	1 x front fixing left/right
4b	2 x gallery head
4c	1 x locking piece

5 	Front piece		
	Colour options	SW	R9006
	Aluminium	Z31L1036A	
	For cutting to size		

Planning



High fronted pull-out with aluminium frame

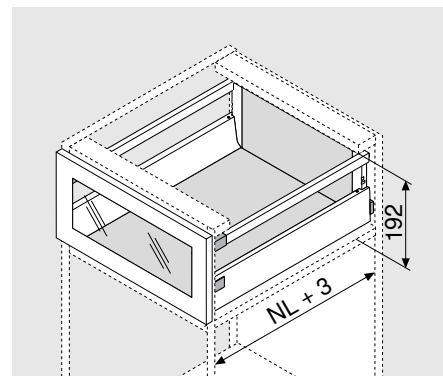
Product



Description

- With single gallery
- Concealed, guided full extension
- Tool-free front assembly
- 3-dimensional front adjustment
- With integrated BLUMOTION, can be combined with SERVO-DRIVE or with TIP-ON BLUMOTION

Space requirement

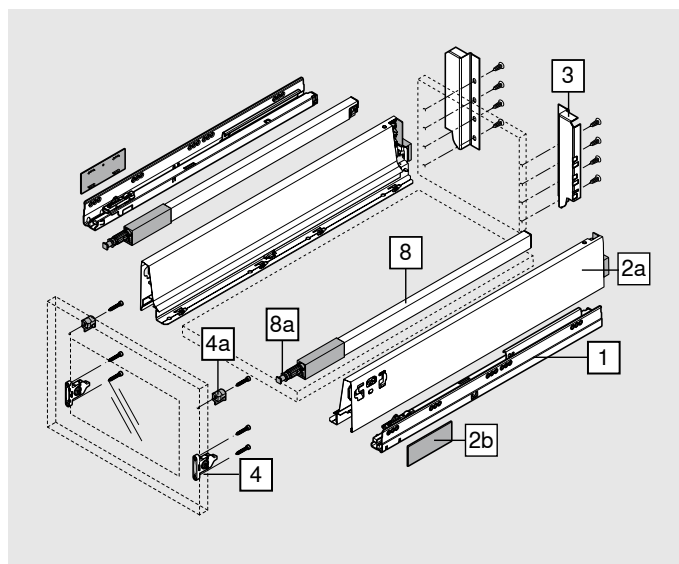


NL Nominal length

Ordering information

1	Cabinet profiles left/right		
	Dynamic carrying capacity (kg)		
	Nominal length NL (mm)	BLUMOTION*	
		30 kg	65 kg
270	578.2701M		
300	578.3001M		
350	578.3501M		
400	578.4001M		
450	578.4501M	576.4501M	
500	578.5001M	576.5001M	
550	578.5501M	576.5501M	
600	578.6001M	576.6001M	
650		576.6501M	

*Suitable for SERVO-DRIVE and TIP-ON BLUMOTION



2	Drawer side set	
	Colour options	SW R9006
	NL (mm)	Steel
	270	378M2702SA
	300	378M3002SA
	350	378M3502SA
	400	378M4002SA
	450	378M4502SA
	500	378M5002SA
	550	378M5502SA
	600	378M6002SA
650	378M6502SA	
Consisting of:		
2a	1 x drawer side left/right	
2b	2 x cover cap, stamped with Blum logo, custom printed from 1000 pcs	

High fronted pull-out with aluminium frame

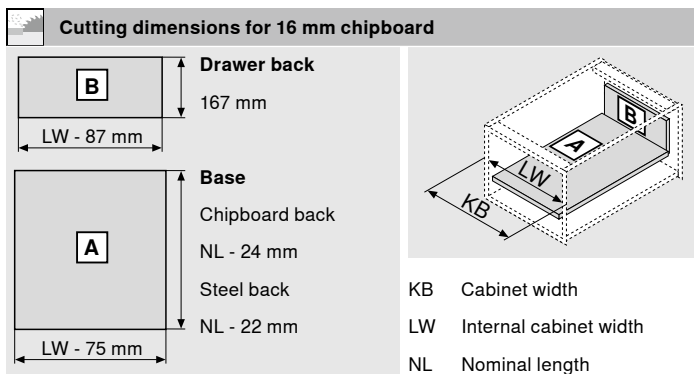
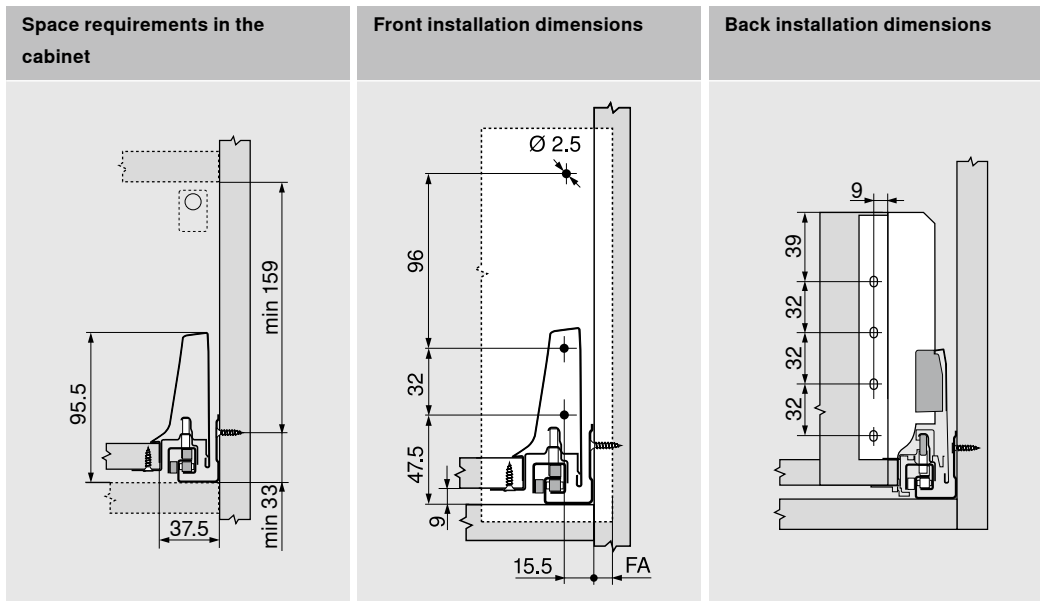
Ordering information

	3 Back fixing left/right		
	Colour options	SW	R9006
	Steel	Z30.C000S	
	Steel back		79
	4 Front fixing bracket		
	Screw-on version		2x
	ZSF.35A2		
	4a Adapter for aluminium frame, symmetrical		
	Colour options	Natural/white	
	Nylon		2x
	ZRF.2200.01		

	8 Gallery left/right		
	Colour options	SW	R9006
	NL (mm)	Steel	
	270	ZRG.207RSIC	
	300	ZRG.237RSIC	
	350	ZRG.287RSIC	
	400	ZRG.337RSIC	
	450	ZRG.387RSIC	
	500	ZRG.437RSIC	
	550	ZRG.487RSIC	
600	ZRG.537RSIC		
650	ZRG.587RSIC		

	8a Gallery head	
	Colour options	Natural
	2 x nylon	
	ZRG.000R5F	

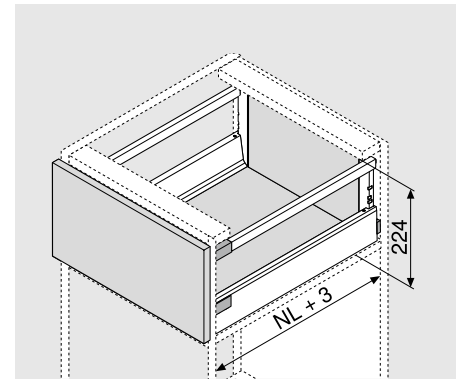
Planning



Product

Description

- With single gallery
- Concealed, guided full extension
- Tool-free front assembly
- 3-dimensional front adjustment
- With integrated BLUMOTION, can be combined with SERVO-DRIVE or with TIP-ON BLUMOTION

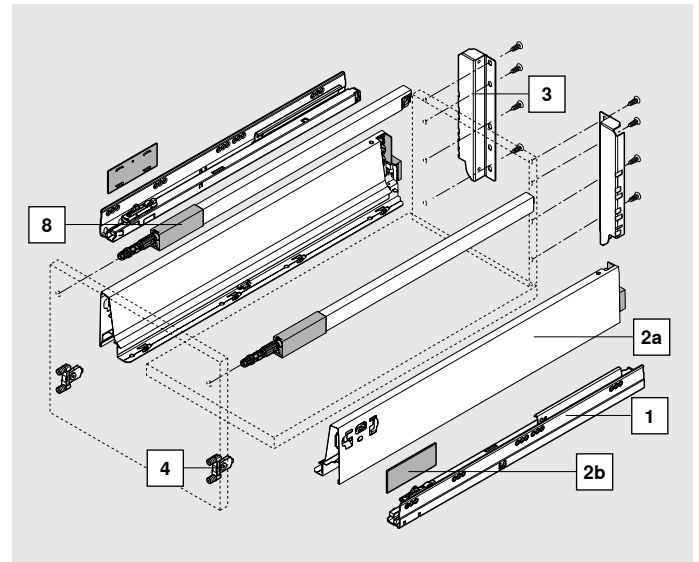
Space requirement


NL Nominal length

Ordering information

1	Cabinet profiles left/right		
	Dynamic carrying capacity (kg)		
	Nominal length NL (mm)	BLUMOTION*	
		30 kg	65 kg
	270	578.2701M	
	300	578.3001M	
	350	578.3501M	
	400	578.4001M	
	450	578.4501M	576.4501M
	500	578.5001M	576.5001M
	550	578.5501M	576.5501M
600	578.6001M	576.6001M	
650		576.6501M	

*Suitable for SERVO-DRIVE and TIP-ON BLUMOTION



2	Drawer side set	SW	R9006
	Colour options	Steel	
	NL (mm)		
	270	378M2702SA	
	300	378M3002SA	
	350	378M3502SA	
	400	378M4002SA	
	450	378M4502SA	
	500	378M5002SA	
	550	378M5502SA	
	600	378M6002SA	
650	378M6502SA		

Consisting of:

2a	1 x drawer side left/right
2b	2 x cover cap, stamped with Blum logo, custom printed from 1000 pcs

Ordering information

	3 Back fixing left/right		
	Colour options	SW	R9006
	Steel	Z30D000SL	
	Steel back	79	
	4 Front fixing bracket		
	INSERTA version	2x	ZSF.39A2
	Screw-on version	2x	ZSF.35A2
	Knock-in version	2x	ZSF.36A2

	8 Gallery left/right		
	Colour options	SW	R9006
	NL (mm)	Steel	
	270	ZRG.207RSIC	
	300	ZRG.237RSIC	
	350	ZRG.287RSIC	
	400	ZRG.337RSIC	
	450	ZRG.387RSIC	
	500	ZRG.437RSIC	
	550	ZRG.487RSIC	
	600	ZRG.537RSIC	
650	ZRG.587RSIC		

Planning

Space requirements in the cabinet	Front installation dimensions	Drilling distances – front – INSERTA knock-in assembly	Back installation dimensions
	FA Front overlay		

Cutting dimensions for 16 mm chipboard

<p>B Drawer back 199 mm LW - 87 mm</p>	
<p>A Base Chipboard back NL - 24 mm Steel back NL - 22 mm LW - 75 mm</p>	

KB Cabinet width
LW Internal cabinet width
NL Nominal length

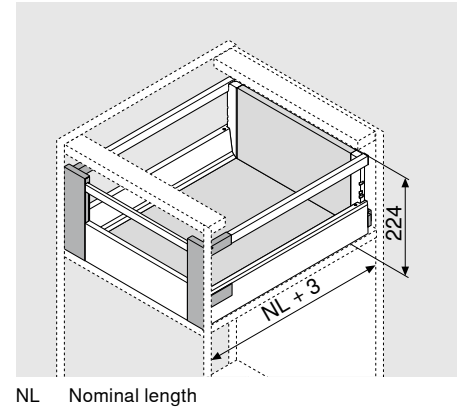
Product



Description

- With single gallery
- Concealed, guided full extension
- Tool-free front assembly
- 3-dimensional front adjustment
- With integrated BLUMOTION, can be combined with SERVO-DRIVE or with TIP-ON BLUMOTION

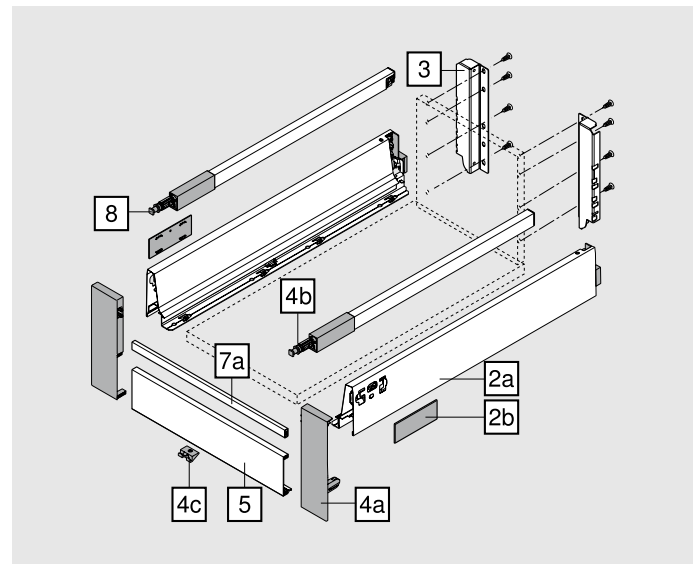
Space requirement



Ordering information

1	Cabinet profiles left/right		
	Dynamic carrying capacity (kg)		
	Nominal length NL (mm)	BLUMOTION*	
		30 kg	65 kg
	270	578.2701M	
	300	578.3001M	
	350	578.3501M	
	400	578.4001M	
	450	578.4501M	576.4501M
	500	578.5001M	576.5001M
550	578.5501M	576.5501M	
600	578.6001M	576.6001M	
650		576.6501M	

*Suitable for SERVO-DRIVE and TIP-ON BLUMOTION



2	Drawer side set	SW	R9006
	Colour options	Steel	
	NL (mm)		
	270	378M2702SA	
	300	378M3002SA	
	350	378M3502SA	
	400	378M4002SA	
	450	378M4502SA	
	500	378M5002SA	
	550	378M5502SA	
	600	378M6002SA	
650	378M6502SA		

Consisting of:

2a	1 x drawer side left/right
2b	2 x cover cap, stamped with Blum logo, custom printed from 1000 pcs

Ordering information

3 	Back fixing left/right		
	Colour options	SW	R9006
	Steel	Z30D000SL	
	Steel back	79	

7a 	Cross gallery		
	Colour options	SW	R9006
	Aluminium	ZRG.1046Z	
	For cutting to size		

4 	Front fixing left/right		
	Colour options	SW	WGR
	Nylon	ZIF.74D0	

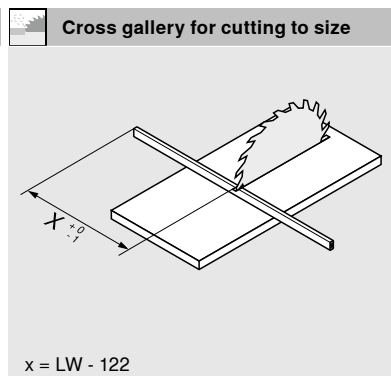
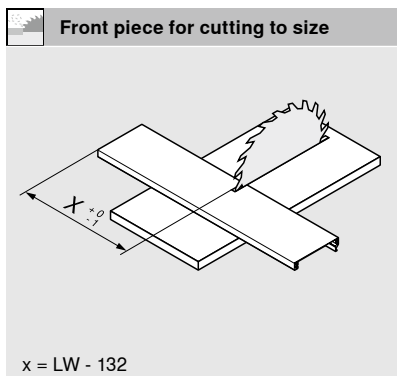
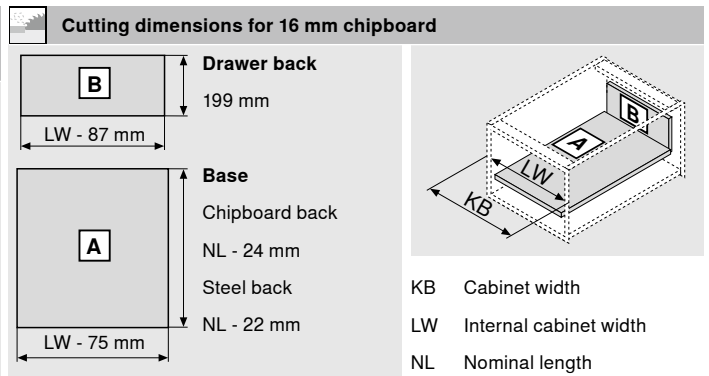
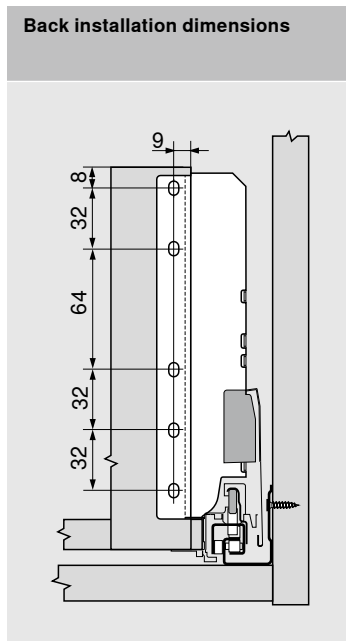
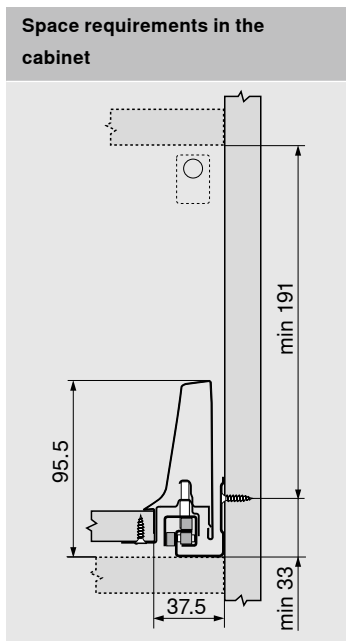
8 	Gallery left/right		
	Colour options	SW	R9006
	NL (mm)	Steel	
	270	ZRG.207RSIC	
	300	ZRG.237RSIC	
	350	ZRG.287RSIC	
	400	ZRG.337RSIC	
	450	ZRG.387RSIC	
	500	ZRG.437RSIC	
	550	ZRG.487RSIC	
	600	ZRG.537RSIC	
650	ZRG.587RSIC		

Consisting of:

4a	1 x front fixing left/right
4b	2 x gallery head
4c	1 x locking piece

5 	Front piece		
	Colour options	SW	R9006
	Aluminium	Z31L1036A	
	For cutting to size		

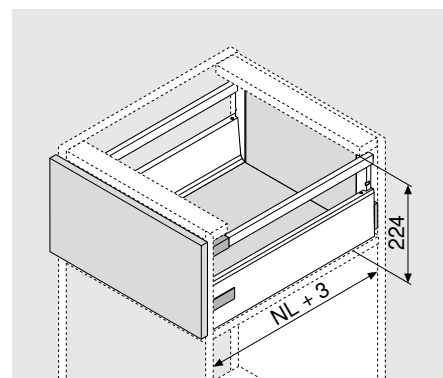
Planning



Product


Description

- With single gallery
- Concealed, guided full extension
- Tool-free front assembly
- 3-dimensional front adjustment
- With integrated BLUMOTION, can be combined with SERVO-DRIVE or with TIP-ON BLUMOTION

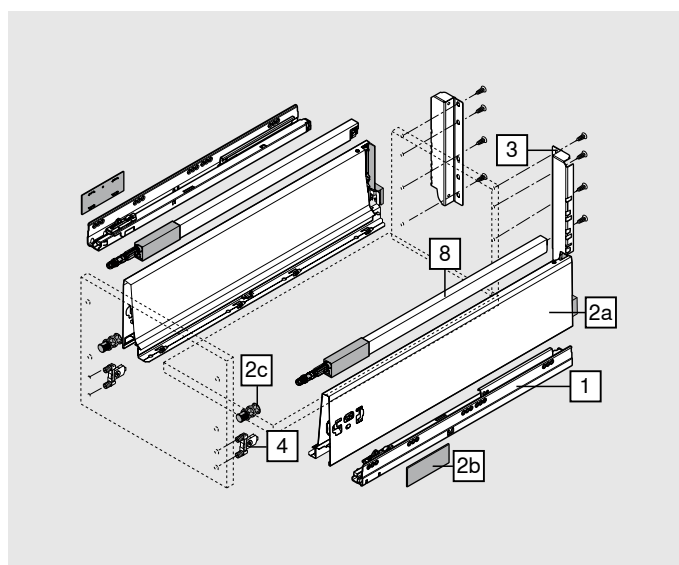
Space requirement


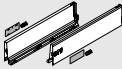
NL Nominal length

Ordering information

1	Cabinet profiles left/right		
	Nominal length NL (mm)	BLUMOTION*	
		30 kg	65 kg
	270	578.2701M	
	300	578.3001M	
	350	578.3501M	
	400	578.4001M	
	450	578.4501M	576.4501M
	500	578.5001M	576.5001M
	550	578.5501M	576.5501M
	600	578.6001M	576.6001M
	650		576.6501M

*Suitable for SERVO-DRIVE and TIP-ON BLUMOTION



2	Drawer side set		
	Colour options	SW	WGR
	NL (mm)	Steel	
	270	378K2702SA	
	300	378K300SA	
	350	378K350SA	
	400	378K400SA	
	450	378K450SA	
	500	378K500SA	
	550	378K550SA	
	600	378K600SA	
	650	378K650SA	

Consisting of:

2a	1 x drawer side left/right
2b	2 x cover cap, stamped with Blum logo, custom printed from 1000 pcs
2c	2 x positioning dowel

Ordering information

	3 Back fixing left/right		
	Colour options	SW	WGR
	Steel	Z30D000SL	
	Steel back		79
	4 Front fixing bracket		
	INSERTA version	2x	ZSF.39A2
	Screw-on version	2x	ZSF.35A2
	Knock-in version	2x	ZSF.36A2
	Front/base stabiliser		
	Stabilises wide and high fronts. Reinforces the connection between the drawer side and the front.		
		Z96.10E1	
	Planning		81

	8 Gallery left/right		
	Colour options	SW	WGR
	NL (mm)	Steel	
	270	ZRG.207RSIC	
	300	ZRG.237RSIC	
	350	ZRG.287RSIC	
	400	ZRG.337RSIC	
	450	ZRG.387RSIC	
	500	ZRG.437RSIC	
	550	ZRG.487RSIC	
600	ZRG.537RSIC		
650	ZRG.587RSIC		

Planning

Space requirements in the cabinet

Front installation dimensions

FA Front overlay

Drilling distances – front – INSERTA | knock-in assembly

Back installation dimensions

Cutting dimensions for 16 mm chipboard

Drawer back

B 199 mm

LW - 87 mm

Base

Chipboard back

NL - 24 mm

Steel back

NL - 22 mm

LW - 75 mm

KB Cabinet width

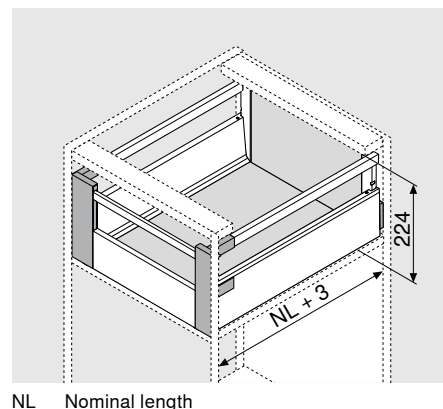
LW Internal cabinet width


NL Nominal length

Product

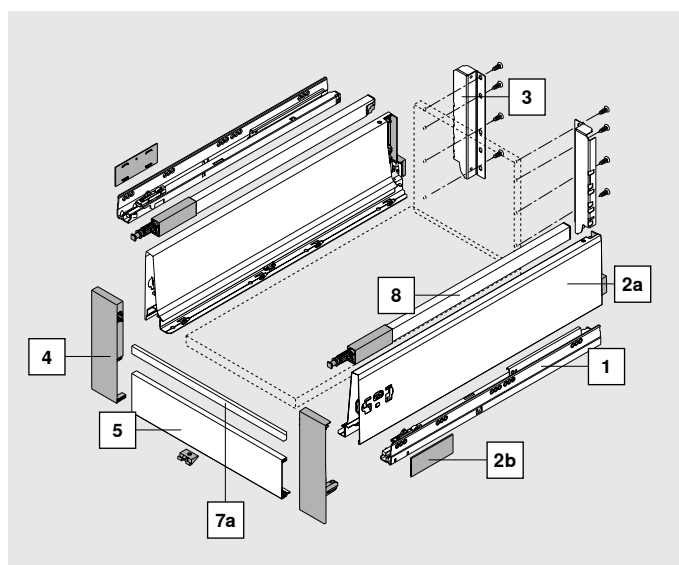
Description

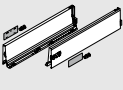
- With single gallery
- Concealed, guided full extension
- Tool-free front assembly
- 3-dimensional front adjustment
- With integrated BLUMOTION, can be combined with SERVO-DRIVE or with TIP-ON BLUMOTION

Space requirement

Ordering information

1	Cabinet profiles left/right		
	Nominal length NL (mm)	BLUMOTION*	
		30 kg	65 kg
	270	578.2701M	
	300	578.3001M	
	350	578.3501M	
	400	578.4001M	
	450	578.4501M	576.4501M
	500	578.5001M	576.5001M
	550	578.5501M	576.5501M
	600	578.6001M	576.6001M
	650		576.6501M

*Suitable for SERVO-DRIVE and TIP-ON BLUMOTION



2	Drawer side set		
	Colour options	SW	WGR
	NL (mm)	Steel	
	270	378K2702SA	
	300	378K3002SA	
	350	378K3502SA	
	400	378K4002SA	
	450	378K4502SA	
	500	378K5002SA	
	550	378K5502SA	
	600	378K6002SA	
	650	378K6502SA	

Consisting of:

2a	1 x drawer side left/right
2b	2 x cover cap, stamped with Blum logo, custom printed from 1000 pcs
2c	2 x positioning dowel

Ordering information

3 	Back fixing left/right		
	Colour options	SW	R9006
	Steel	Z30D000SL	
	Steel back	79	

7a 	Cross gallery		
	Colour options	SW	R9006
	Aluminium	ZRG.1046Z	
	For cutting to size		

4 	Front fixing left/right		
	Colour options	SW	WGR
	Nylon	ZIF.74D0	

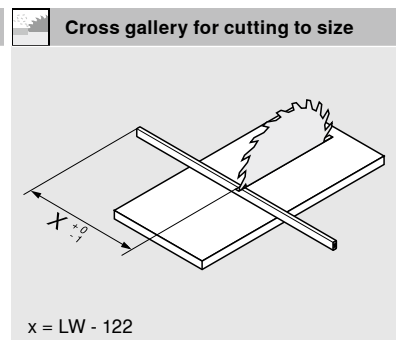
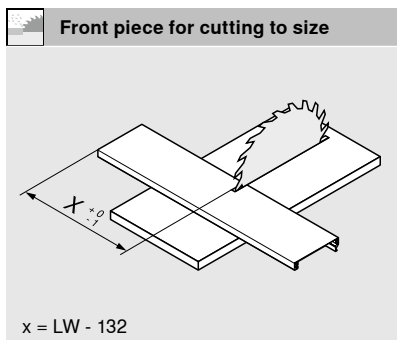
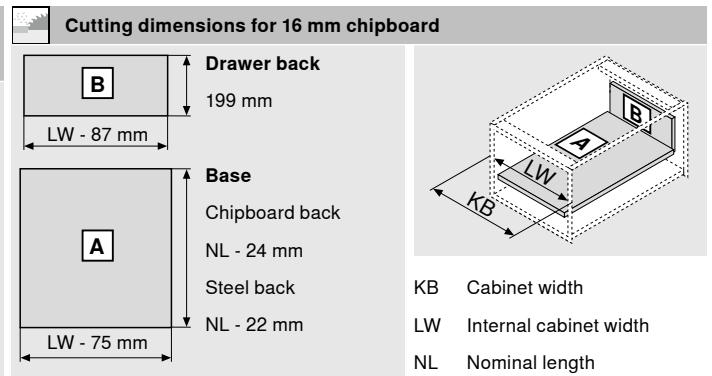
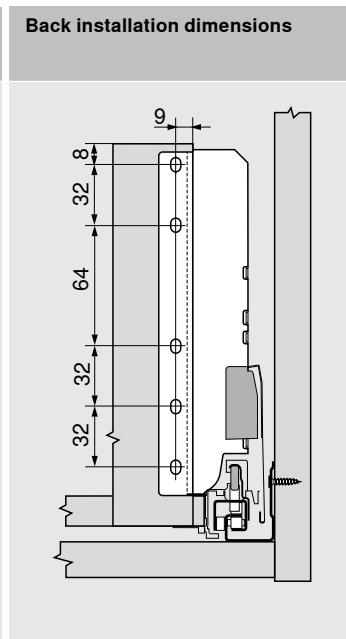
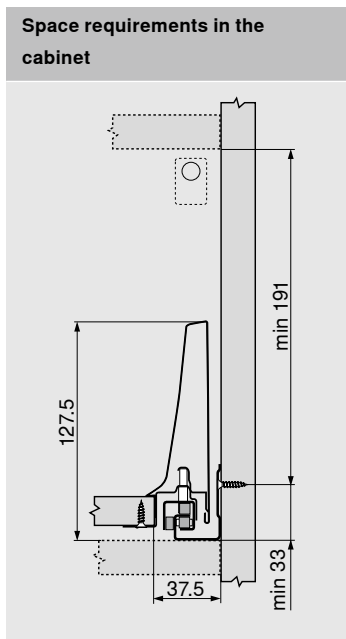
8 	Gallery left/right		
	Colour options	SW	WGR
	NL (mm)	Steel	
	270	ZRG.207RSIC	
	300	ZRG.237RSIC	
	350	ZRG.287RSIC	
	400	ZRG.337RSIC	
	450	ZRG.387RSIC	
	500	ZRG.437RSIC	
	550	ZRG.487RSIC	
	600	ZRG.537RSIC	
	650	ZRG.587RSIC	

Consisting of:

4a	1 x front fixing left/right
4b	2 x gallery head
4c	1 x locking piece

5 	Front piece		
	Colour options	SW	R9006
	Aluminium	Z31L1036A	
	For cutting to size		

Planning



High fronted pull-out with aluminium frame

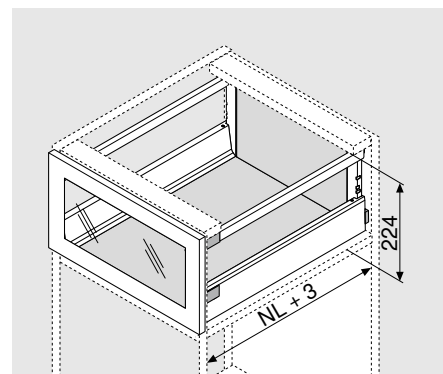
Product



Description

- With single gallery
- Concealed, guided full extension
- Tool-free front assembly
- 3-dimensional front adjustment
- With integrated BLUMOTION, can be combined with SERVO-DRIVE or with TIP-ON BLUMOTION

Space requirement

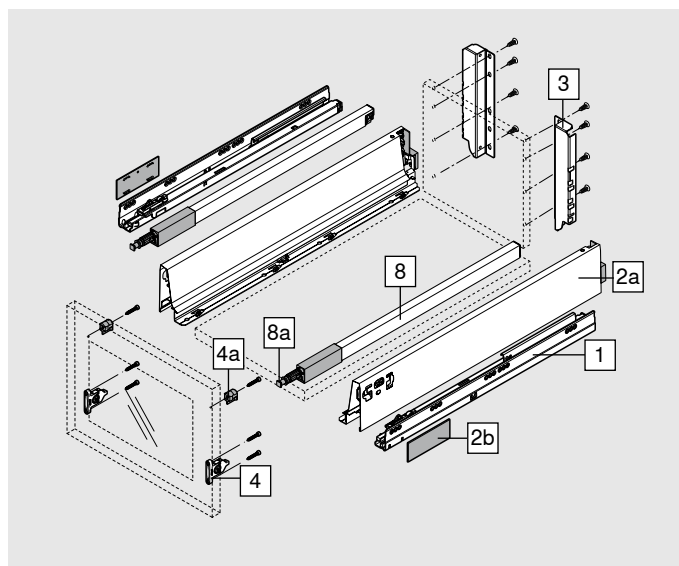


NL Nominal length

Ordering information

1	Cabinet profiles left/right		
	Dynamic carrying capacity (kg)		
	Nominal length NL (mm)	BLUMOTION*	
30 kg		65 kg	
	270	578.2701M	
	300	578.3001M	
	350	578.3501M	
	400	578.4001M	
	450	578.4501M	576.4501M
	500	578.5001M	576.5001M
	550	578.5501M	576.5501M
	600	578.6001M	576.6001M
	650		576.6501M

*Suitable for SERVO-DRIVE and TIP-ON BLUMOTION



2	Drawer side set		
	Colour options	SW	R9006
	NL (mm)	Steel	
	270	378M2702SA	
	300	378M3002SA	
	350	378M3502SA	
	400	378M4002SA	
	450	378M4502SA	
	500	378M5002SA	
	550	378M5502SA	
	600	378M6002SA	
650	378M6502SA		
Consisting of:			
2a	1 x drawer side left/right		
2b	2 x cover cap, stamped with Blum logo, custom printed from 1000 pcs		

High fronted pull-out with aluminium frame

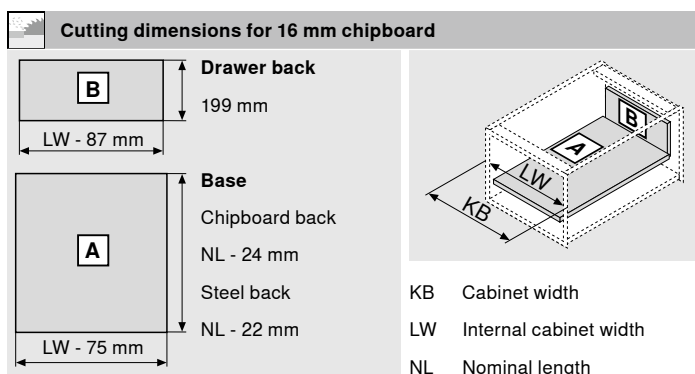
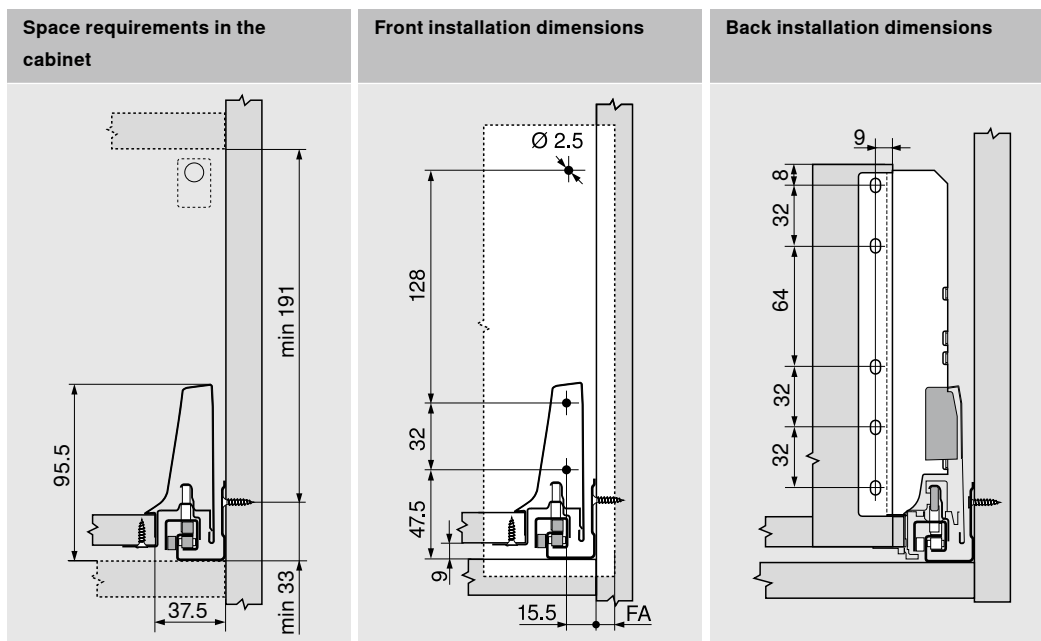
Ordering information

	3 Back fixing left/right		
	Colour options	SW	R9006
	Steel	Z30D000S	
	Steel back		79
	4 Front fixing bracket		
	Screw-on version		2x
	ZSF.35A2		
	4d Adapter for aluminium frame, symmetrical		
	Colour options	Natural/white	
	2x	Nylon	
	ZRF.2200.01		

	8 Gallery left/right		
	Colour options	SW	R9006
	NL (mm)	Steel	
	270	ZRG.207RSIC	
	300	ZRG.237RSIC	
	350	ZRG.287RSIC	
	400	ZRG.337RSIC	
	450	ZRG.387RSIC	
	500	ZRG.437RSIC	
550	ZRG.487RSIC		
600	ZRG.537RSIC		
650	ZRG.587RSIC		

	8a Gallery head	
	Colour options	Natural
	2 x nylon	
	ZRG.000R5F	

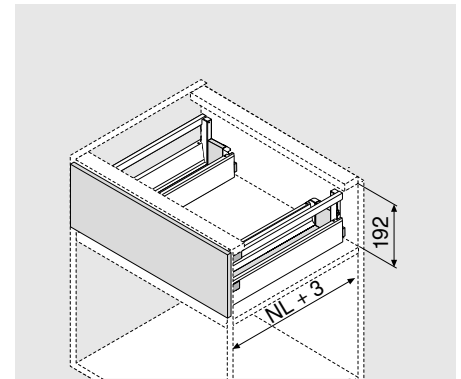
Planning



Product

Description

- Can be implemented with standard components
- With single gallery
- Concealed, guided full extension
- Tool-free front assembly
- 3-dimensional front adjustment
- With integrated BLUMOTION, can be combined with SERVO-DRIVE or with TIP-ON BLUMOTION

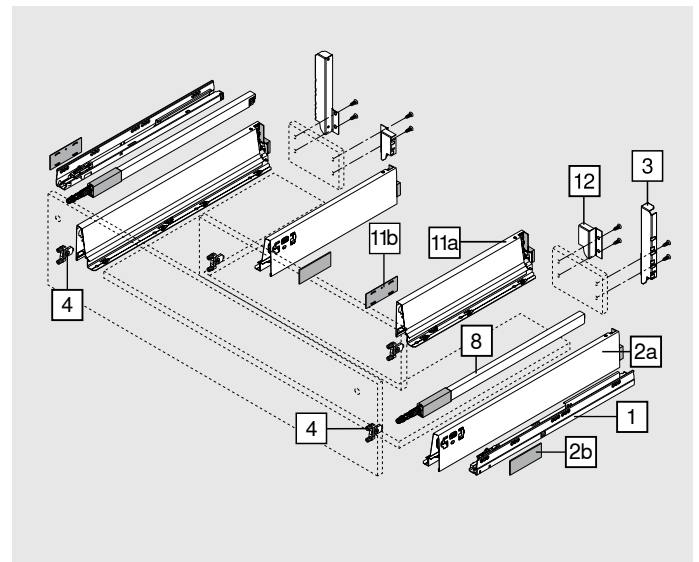
Space requirement


NL Nominal length

Ordering information

1	Cabinet profiles left/right		
	Dynamic carrying capacity (kg)		
	Nominal length NL (mm)	BLUMOTION*	
		30 kg	65 kg
	270	578.2701M	
	300	578.3001M	
	350	578.3501M	
	400	578.4001M	
	450	578.4501M	576.4501M
	500	578.5001M	576.5001M
	550	578.5501M	576.5501M
600	578.6001M	576.6001M	
650		576.6501M	

*Suitable for SERVO-DRIVE and TIP-ON BLUMOTION



2	Outer drawer side set		
	Colour options	SW	R9006
	NL (mm)	Steel	
	450	378M4502SA	
	500	378M5002SA	
	550	378M5502SA	
	600	378M6002SA	
	650	378M6502SA	
Consisting of:			
2a	1 x drawer side left/right		
2b	2 x cover cap, stamped with Blum logo, custom printed from 1000 pcs		

3	Back fixing left/right		
	Colour options	SW	R9006
	Steel	Z30C000S.22	
	Steel back	79	

4	Front fixing bracket		
	INSERTA version	4x	ZSF.39A2
	Screw-on version	4x	ZSF.35A2
	Knock-in version	4x	ZSF.36A2

12	Back fixing left/right		
	Colour options	SW	R9006
	Steel	Z30M000S.04	
	Steel back	79	

Front/base stabiliser			
	Stabilises wide and high fronts. Reinforces the connection between the drawer side and the front.		
	Z96.10E1		
	Planning	81	

Ordering information

8	Gallery left/right		
	Colour options	SW	WGR
	NL (mm)	Steel	
	270	ZRG.207RSIC	
	300	ZRG.237RSIC	
	350	ZRG.287RSIC	
	400	ZRG.337RSIC	
	450	ZRG.387RSIC	
	500	ZRG.437RSIC	
	550	ZRG.487RSIC	
	600	ZRG.537RSIC	
	650	ZRG.587RSIC	

11a	Inner drawer side set		
	Colour options	SW	R9006
	NL (mm)	Steel	
	270	378M270SA	
	300	378M300SA	
	350	378M350SA	
	400	378M400SA	
	450	378M450SA	
	500	378M500SA	

Consisting of:

- 2a 1 x drawer side left/right
- 2b 2 x cover cap, stamped with Blum logo, custom printed from 1000 pcs

For effective use of storage space, we recommend: Nominal length NL of outer drawer side (no 2) - nominal length NL of inner drawer side (no 11) = min. 150 mm

Planning

Space requirements in the cabinet

Front installation dimensions

FA Front overlay

Drilling distances – front – INSERTA | knock-in assembly

Back installation dimensions

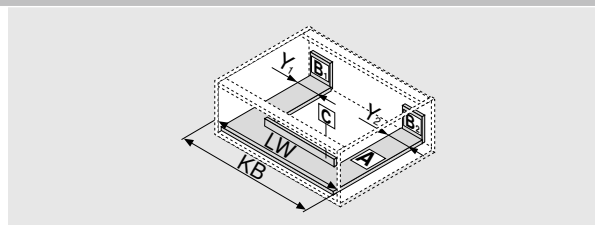
Cutting dimensions for 16 mm chipboard

Drawer back
84 mm

Drawer base
Chipboard back
NL - 24 mm

Centre piece
71 mm

Y min. BLUMOTION = 48 mm
Y min. TIP-ON BLUMOTION = 75 mm
Y max. = 225 mm



- KB Cabinet width
- LW Internal cabinet width
- NL Nominal length
- SPW Internal width between sink drawer sides

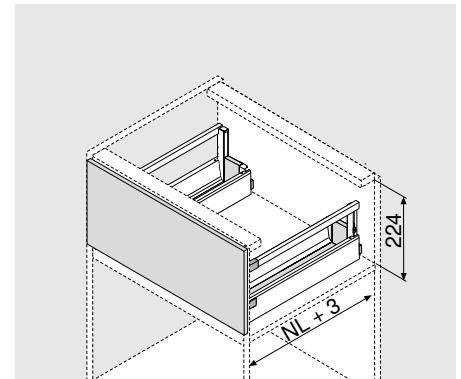
X = NL outer drawer side - NL inner drawer side - 10 mm

Drilling distances – centre piece

Product

Description

- With single gallery
- Concealed, guided full extension
- Tool-free front assembly
- 3-dimensional front adjustment
- With integrated BLUMOTION, can be combined with SERVO-DRIVE or with TIP-ON BLUMOTION

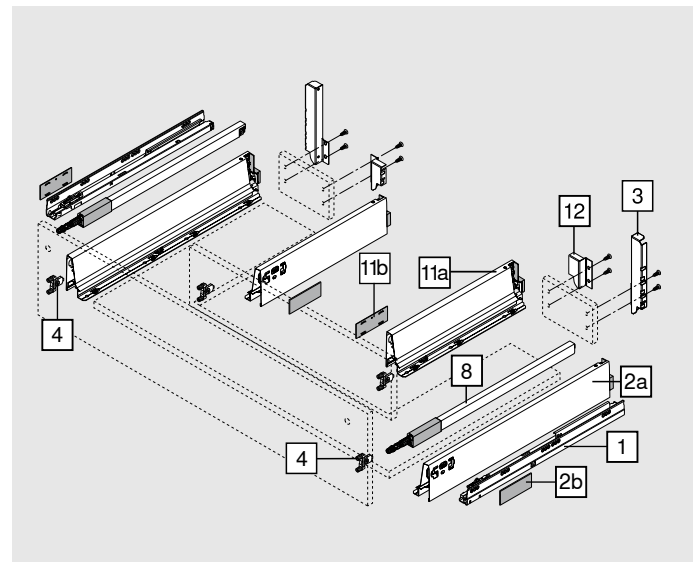
Space requirement


NL Nominal length

Ordering information

1	Cabinet profiles left/right		
	Dynamic carrying capacity (kg)		
	Nominal length NL (mm)	BLUMOTION*	
		30 kg	65 kg
	270	578.2701M	
	300	578.3001M	
	350	578.3501M	
	400	578.4001M	
	450	578.4501M	576.4501M
	500	578.5001M	576.5001M
550	578.5501M	576.5501M	
600	578.6001M	576.6001M	
650		576.6501M	

*Suitable for SERVO-DRIVE and TIP-ON BLUMOTION



2	Outer drawer side set		
	Colour options	SW	R9006
	NL (mm)	Steel	
	450	378M4502SA	
	500	378M5002SA	
	550	378M5502SA	
	600	378M6002SA	
	650	378M6502SA	
Consisting of:			
2a	1 x drawer side left/right		
2b	2 x cover cap, stamped with Blum logo, custom printed from 1000 pcs		

4	Front fixing bracket		
	INSERTA version	4x	ZSF.39A2
	Screw-on version	4x	ZSF.35A2
	Knock-in version	4x	ZSF.36A2

12	Back fixing left/right		
	Colour options	SW	R9006
	Steel	Z30M000S.04	
	Steel back	79	

3	Back fixing left/right		
	Colour options	SW	R9006
	Steel	Z30D000SL	
	Steel back	79	

Front/base stabiliser			
	Stabilises wide and high fronts. Reinforces the connection between the drawer side and the front.		
	Z96.10E1		
	Planning	81	

Ordering information

8	Gallery left/right		
	Colour options	SW	WGR
	NL (mm)	Steel	
	270	ZRG.207RSIC	
	300	ZRG.237RSIC	
	350	ZRG.287RSIC	
	400	ZRG.337RSIC	
	450	ZRG.387RSIC	
	500	ZRG.437RSIC	
	550	ZRG.487RSIC	
	600	ZRG.537RSIC	
	650	ZRG.587RSIC	

11a	Inner drawer side set		
	Colour options	SW	R9006
	NL (mm)	Steel	
	270	378M270SA	
	300	378M300SA	
	350	378M350SA	
	400	378M400SA	
	450	378M450SA	
	500	378M500SA	

Consisting of:

- 2a 1 x drawer side left/right
- 2b 2 x cover cap, stamped with Blum logo, custom printed from 1000 pcs

For effective use of storage space, we recommend: Nominal length NL of outer drawer side (no 2) - nominal length NL of inner drawer side (no 11) = min. 150 mm

Planning

Space requirements in the cabinet

Front installation dimensions

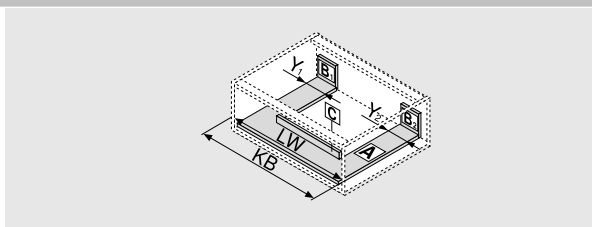
FA Front overlay

Drilling distances – front – INSERTA | knock-in assembly

Back installation dimensions

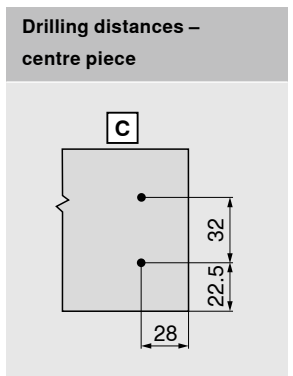
Cutting dimensions for 16 mm chipboard

Y min. BLUMOTION = 48 mm
 Y min. TIP-ON BLUMOTION = 75 mm
 Y max. = 225 mm



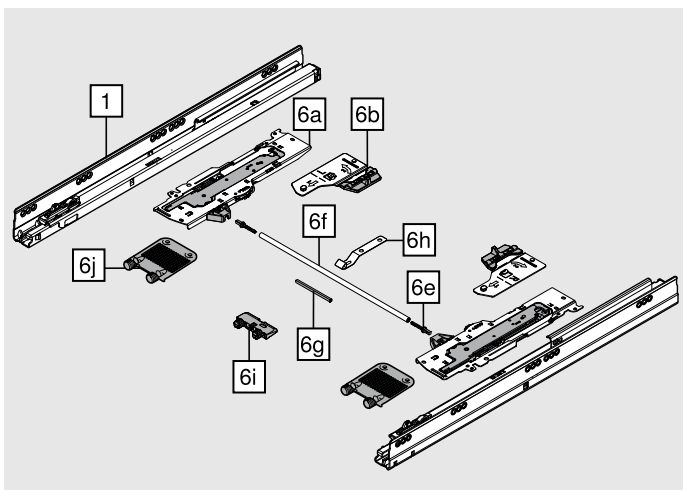
- KB Cabinet width
- LW Internal cabinet width
- NL Nominal length
- SPW Internal width between sink drawer sides

$X = NL \text{ outer drawer side} - NL \text{ inner drawer side} - 10 \text{ mm}$



TIP-ON BLUMOTION
TANDEMBOX TIP-ON BLUMOTION cabinet profile

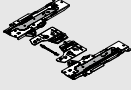

- TIP-ON mechanical opening support system combined with BLUMOTION for soft and effortless closing
- Front gap 2.5 mm
- Four-dimensional front adjustment
- Extensive trigger range
- Synchronised feather-light glide
- Synchronisation for internal cabinet widths (LW) of 238 mm or more




1	Cabinet profiles left/right		
	For TIP-ON BLUMOTION		
	Nominal length (mm)	30 kg	65 kg
	270	578.2701M	
	300	578.3001M	
	350	578.3501M	
	400	578.4001M	
	450	578.4501M	576.4501M
	500	578.5001M	576.5001M
	550	578.5501M	576.5501M
	600	578.6001M	576.6001M
650		576.6501M	

TIP-ON BLUMOTION

Ordering information

6		TIP-ON BLUMOTION set				
		NL (mm)	Unit	Cabinet profile (kg)	Weight (kg) ¹	
		270–300	S0	30	≤ 10	T60B3030
		270–300	S1	30	> 10–20	T60B3130
		350–600	L1	30	≤ 20	T60B3330
		350–600	L3	30	15–40 ²	T60B3530
		450–650	L5	65	35–65 ³	T60B3560
Consisting of:						
6a	1x	TIP-ON BLUMOTION unit left/right				
6b	1x	TIP-ON BLUMOTION latch left/right				
6e	2x	TIP-ON BLUMOTION synchronisation adapter				
	¹	Recommended weight ranges (total weight of the pull-out) for an optimum opening and closing function				
	²	Can only be combined with a 30 kg cabinet profile				
	³	Recommendation: Only use in combination with a 65 kg cabinet profile				

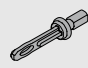

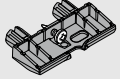
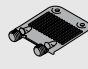
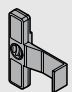
Internal cabinet width LW ≥ 287 mm

6f		TIP-ON BLUMOTION synchronisation linkage		
		Version	Colour	
		Round	Grey	T60.1125W
		In combination with 6e 2 x T60.000D		
Suitable up to internal cabinet width LW 1370 mm				
Note				
To optimise the function and trigger range, we generally recommend using synchronisation				
Cutting		Internal cabinet width LW - 240 mm		

Internal cabinet width LW 238–286 mm

6g		TIP-ON BLUMOTION synchronisation		
		Version	Colour	
		Square	R7035	T60.300D
		Cutting Internal cabinet width LW - 214 mm		

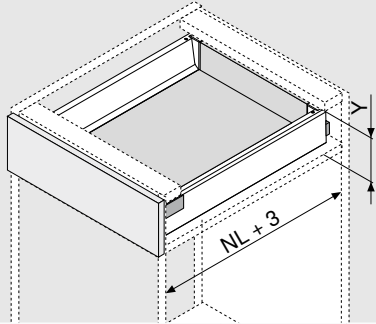
Accessories

6e		TIP-ON BLUMOTION synchronisation adapter		
		Version	Colour	
		Symmetrical	R7035	T60.000D
		Internal cabinet width LW ≥ 287 mm		
6h		TIP-ON BLUMOTION synchronisation linkage fixing		
		Cabinet width KB (mm)	Material	
		≥ 750	Steel	T60B000H
		For pull-outs over a cabinet base or cross member		
Prevents the TIP-ON BLUMOTION synchronisation linkage from sagging				
6i		Base support bracket		
		Cabinet width KB (mm)	Colour	
		≥ 750	RAL 7037	Z96.2011
		For pull-outs over a cabinet base or cross member		
Prevents the TIP-ON BLUMOTION synchronisation linkage from sagging				
6j		Front/base stabiliser		
		Material	Colour	
		Nylon	R7037	2x Z96.10E1
-		TIP-ON BLUMOTION checking/setting template		
		Front gap FS (mm)	Colour	
		2.5	Orange	65.5627

TIP-ON BLUMOTION

Space requirements in the cabinet

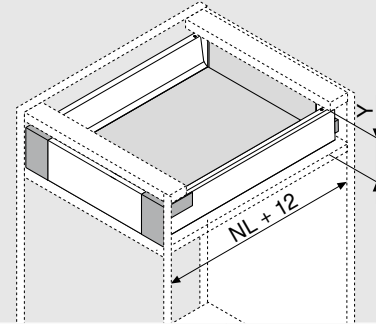
Drawer | High fronted pull-out



Back height	Y (mm)
N	85.5
M	101.5
K	133.5
B	161
C	195
D	227

NL Nominal length

Inner drawer | Inner pull-out

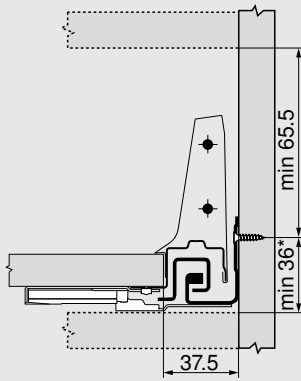


Back height	Y (mm)
M	109
K	139.5
B	161
C	195
D	227

NL Nominal length

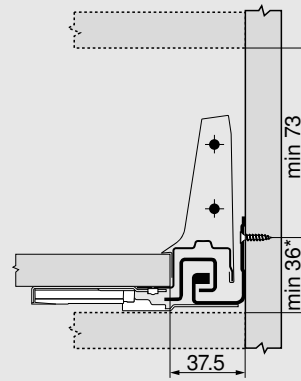
Space requirements in the cabinet

Drawer | High fronted pull-out



Height M

Inner drawer | Inner pull-out



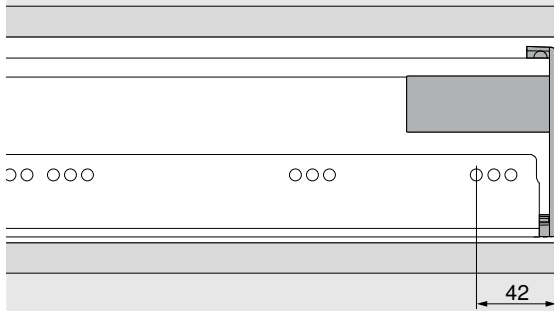
* For 36-39 mm and a cabinet width KB of ≥ 750 you require a fixing, TIP-ON BLUMOTION synchronisation and a base support bracket to prevent the synchronisation linkage from colliding with the cabinet base or the cross member

A trial application is recommended

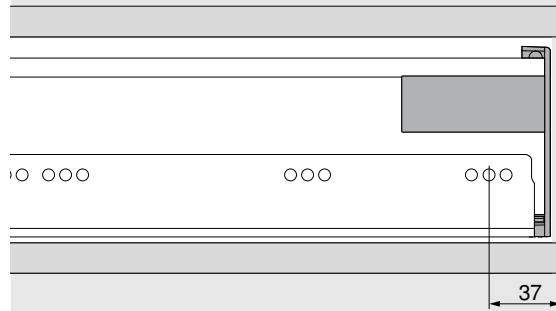
TIP-ON BLUMOTION

Screw position – inner drawer | inner pull-out

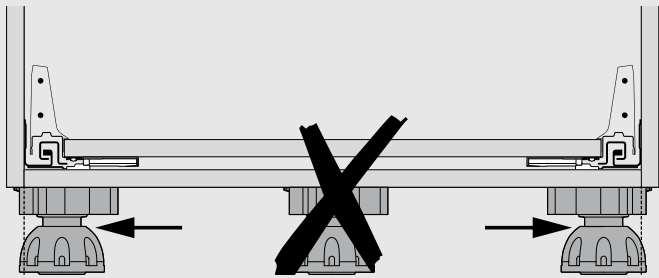
Option 1



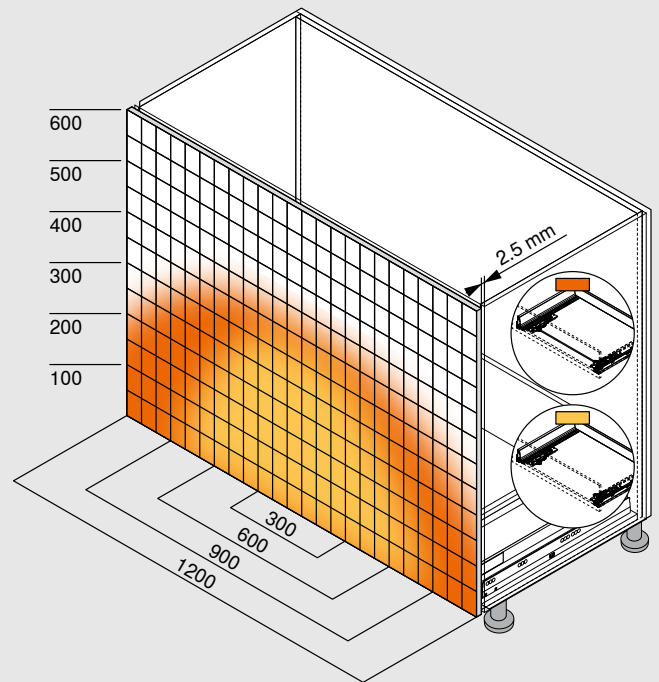
Option 2



Plinth leg



Trigger range



- With synchronisation
- Without synchronisation

Minimum front gap (mm) 2.5

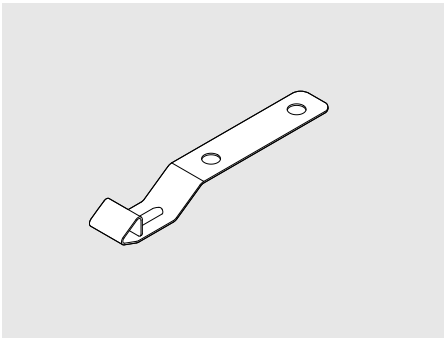
With front/base stabiliser

To optimise the function and trigger range, we generally recommend using synchronisation

Example for 578 – 30 kg | 576 – 65 kg, height D, nominal length NL 500 mm

TIP-ON BLUMOTION

TIP-ON BLUMOTION synchronisation linkage fixing



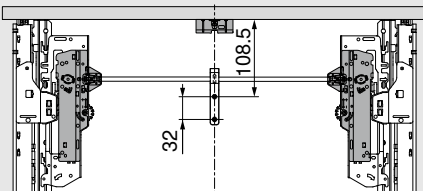
- Prevents the TIP-ON BLUMOTION synchronisation linkage from sagging
- For pull-outs over a cabinet base or cross member
- Required for cabinet widths KB of ≥ 750 mm
- Material: Steel

Ordering information

TIP-ON BLUMOTION synchronisation linkage fixing

T60B000H

Drilling distance – drawer base

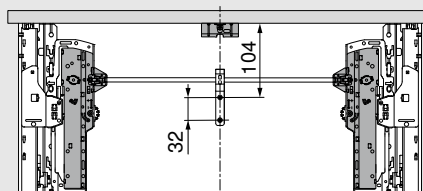


Nominal length (mm)

TIP-ON BLUMOTION unit

270–300

S0 | S1

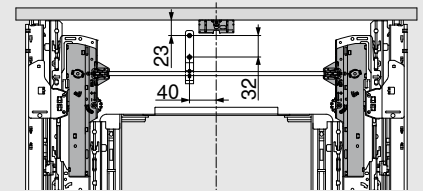


Nominal length (mm)

TIP-ON BLUMOTION unit

350–650

L1 | L3 | L5



Sink cabinet

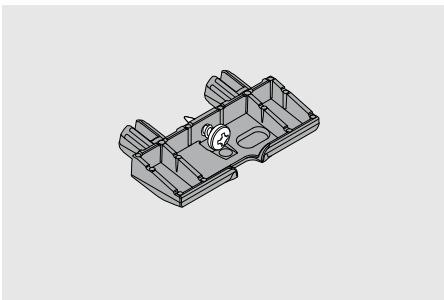
Nominal length (mm)

TIP-ON BLUMOTION unit

450–650

L1 | L3 | L5

Base support bracket



- For supporting the pull-out base
- For pull-outs over a cabinet base or cross member
- Required for cabinet widths KB of ≥ 750 mm
- Material: Nylon

Ordering information

Base support bracket

Cabinet width KB (mm)

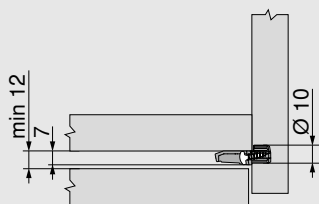
Colour

≥ 750

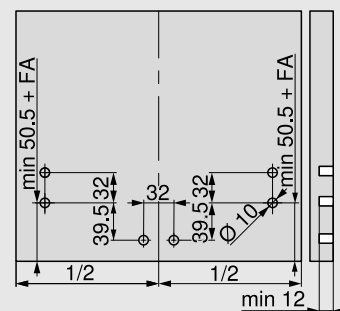
R7037 dust grey

Z96.2011

Space requirements in the cabinet



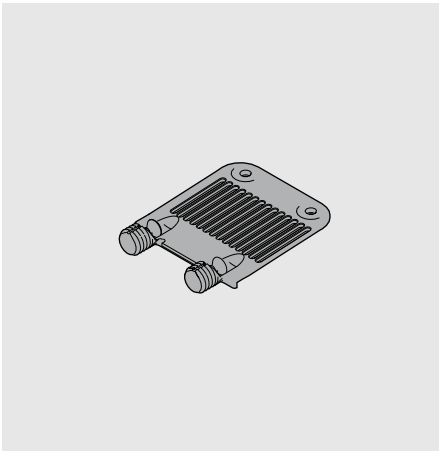
Space requirements in the cabinet



FA Front overlay

TIP-ON BLUMOTION

Front/base stabiliser

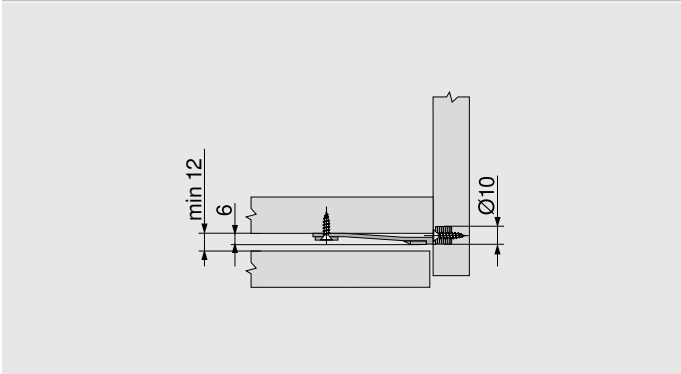


- For stabilising high fronts
- For supporting wide drawer bases
- Recommendation:
 - Front height FH < 300 mm:
 - Cabinet width KB > 900 mm: 1 pc
 - Front height FH ≥ 300 mm:
 - Cabinet width KB < 450 mm: 1 pc
 - Cabinet width KB ≥ 450 mm: 2 pcs

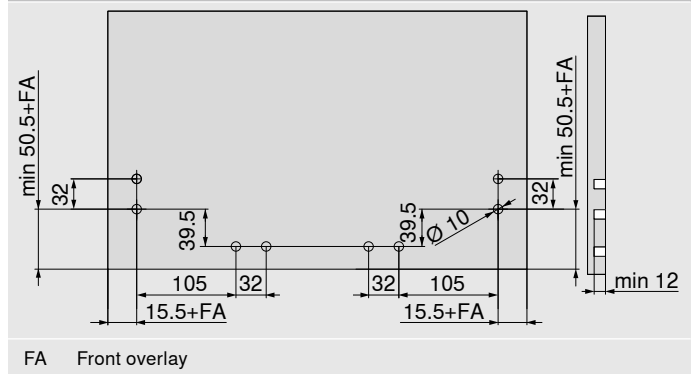
Ordering information	
Front/base stabiliser	
Fixing method	Colour
EXPANDO	R7037 dust grey
Z96.10E1	

Planning

Space requirements in the cabinet



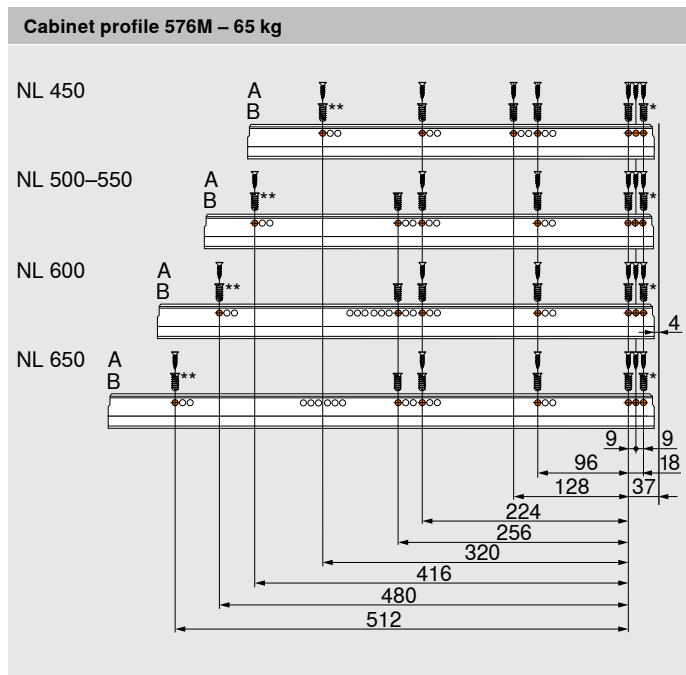
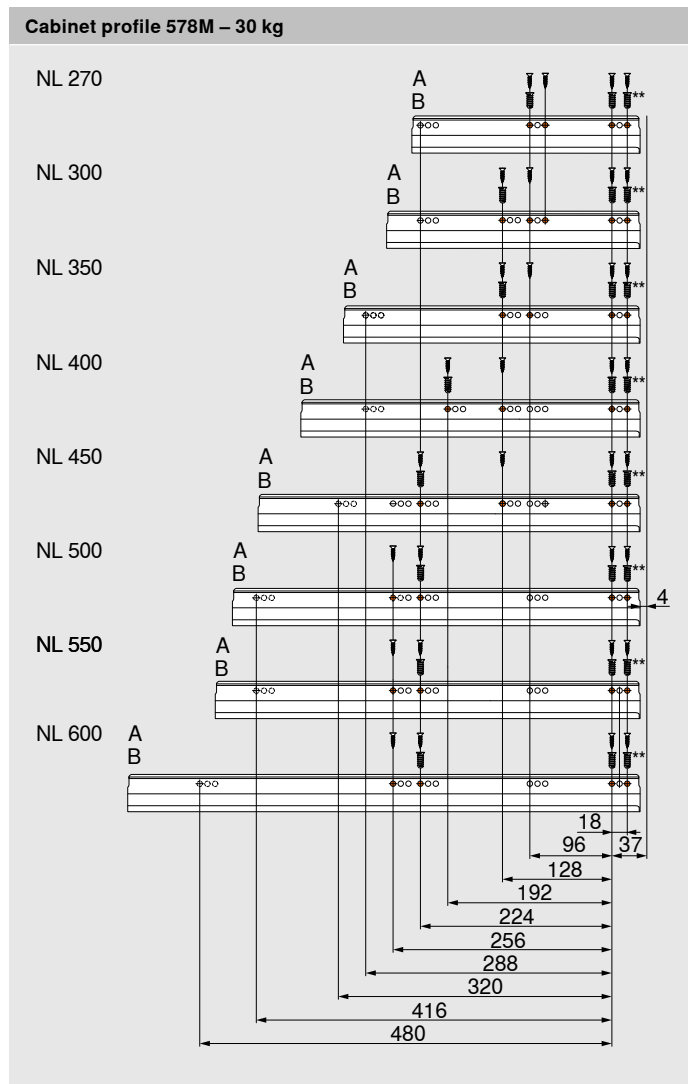
Space requirements in the cabinet



FA Front overlay

Cabinet profile

Cabinet profile fixing



A Chipboard screw
 Ø 4 x 15 mm

B System screw
 part no. 661.1450.HG

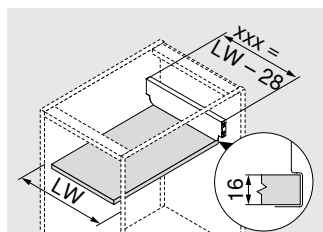
* Can be replaced with A

** Optional for greater stability
 Can be replaced with A

Steel back

Ordering information		SW	R9006
	Colour options	Steel	
	N drawer back	☎ Z30NxxxS.6	
	M drawer back	☎ Z30MxxxS.6	
	K drawer back	☎ Z30KxxxS.6	
	C drawer back	☎ Z30CxxxS.6	
	D drawer back	☎ Z30DxxxS.6	

Calculation of width



xxx Width
LW Internal cabinet width

Example:

Internal cabinet width 567 mm - 28 mm = back width 539 mm

Order: **Z30M539S** in white

Cutting dimensions for 16 mm chipboard

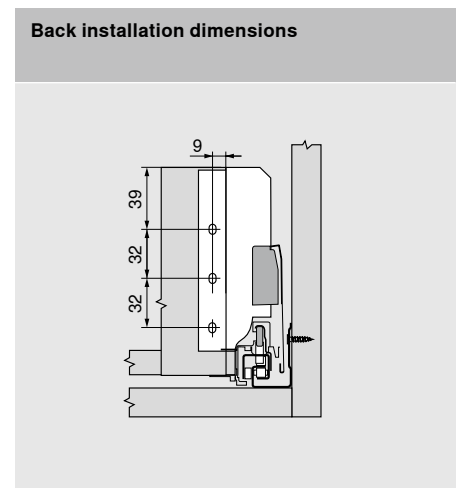
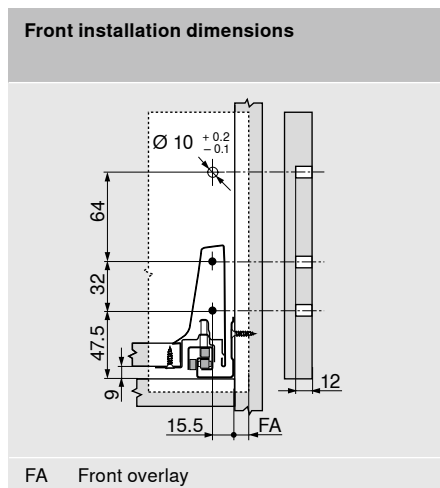
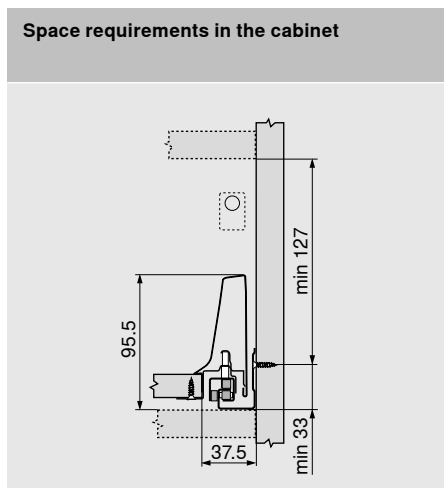
Base
NL - 22 mm

LW Internal cabinet width
NL Nominal length

Ordering information

Back fixing height B		SW	WGR
	Colour options	Steel	
		Z30B000S.04	

Planning



Flexible gallery fixing

Accessories – Flexible gallery fixing

Flexible gallery fixing			
	Colour options	SW	R9006
		Steel	
	ZRR.5200		

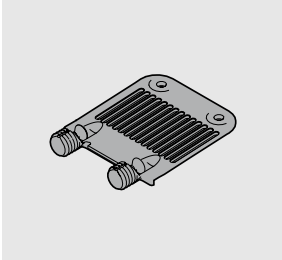
Planning

Space requirements in the cabinet	Front installation dimensions	Back installation dimensions
Free placement $Y = X - 4 \text{ mm}$ X Back height	Free placement $Z = X - 71 \text{ mm}$ X Back height FA Front overlay	Free placement $W = X - 103 \text{ mm}$ X Back height

Space requirements in the cabinet	Front installation dimensions	Back installation dimensions
Height D – double gallery (back fixing height B)	Height D – double gallery (back fixing height B) FA Front overlay	Height D – double gallery (back fixing height B)

Front/base stabiliser

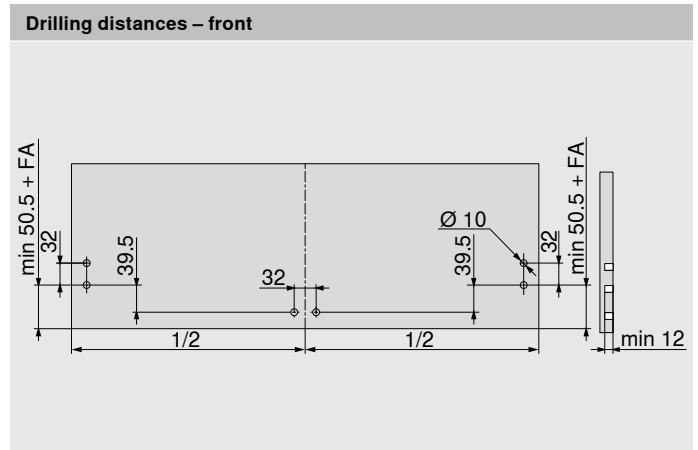
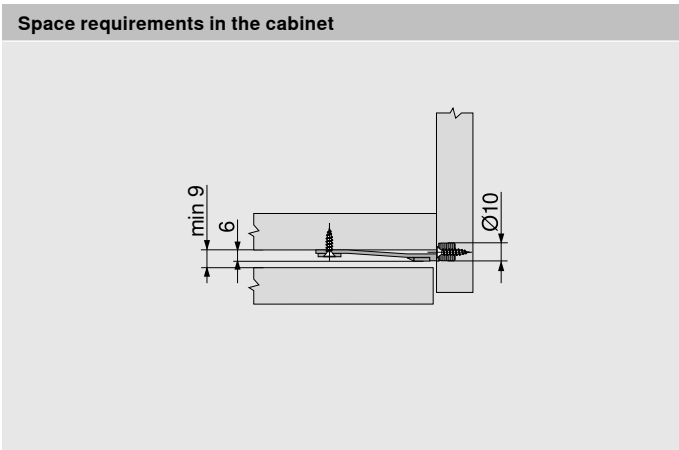
Front/base stabiliser



Ordering information	
Front/base stabiliser	
Fixing method	Colour
EXPANDO	R7037 dust grey
Z96.10E1	

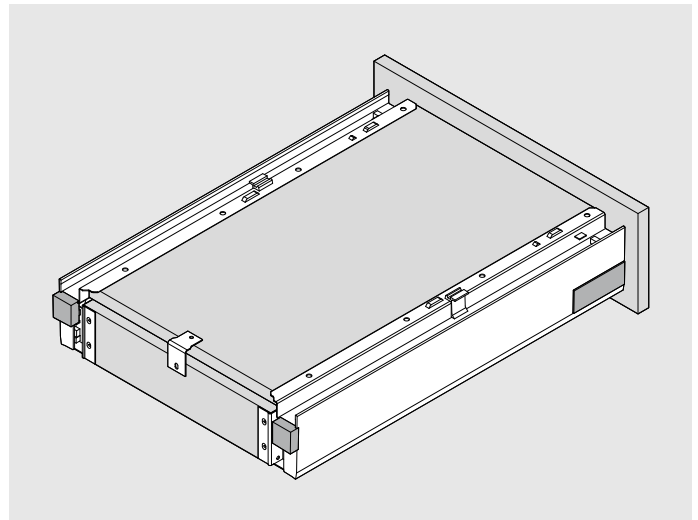
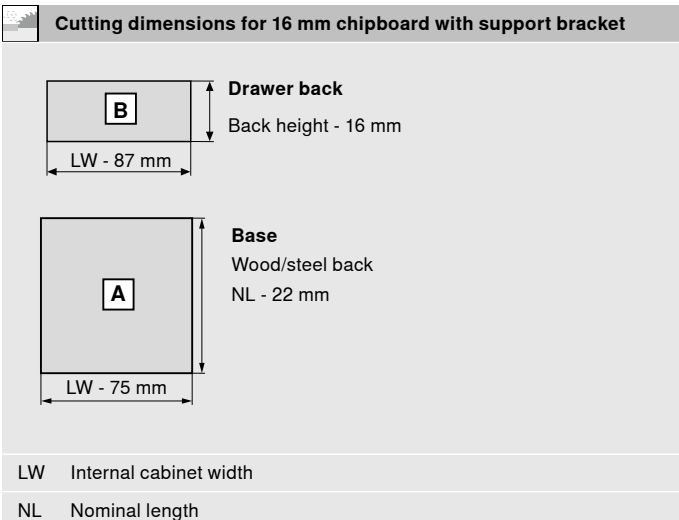
- For stabilising high fronts
- For supporting wide drawer bases
- Recommendation:
 - Front height FH < 300 mm: Cabinet width KB > 900 mm: 1 pc
 - Front height FH ≥ 300 mm: Cabinet width KB < 450 mm: 1 pc
 - Cabinet width KB ≥ 450 mm: 2 pcs
 - Cabinet width KB > 900 mm: 3 pcs

Planning



Support bracket

Support bracket	
	Steel
	28 mm
	Z30A008
Used in combination with chipboard back. Same base cutting dimensions for chipboard and steel back.	



A bright, modern kitchen with a woman sitting on a black stool at a long wooden kitchen island. A man is standing in the background, smiling and cooking. The kitchen features a wooden herringbone floor, a dining table with chairs, and large windows. The scene is lit with warm, natural light from the windows and modern pendant lights.

moving ideas

We believe that ideas can move the world. We offer innovative fittings, inspiring furniture concepts and appropriate services so that you can turn your creative ideas into reality. We are driven by your needs, international trends and our shared vision of a better quality of living. Let us work together to create moving ideas.



Quality of living

We would like you to enjoy greater convenience and functionality when using furniture.



Product range

Everything from a single source: our wide range of products allows you to keep up with today's and tomorrow's trends.



Inspiration

We monitor global trends and strive to create the solutions of tomorrow. We like to share our insights with you.



Innovation

We stay in motion. Curiosity and pioneering spirit drive us to develop new products and services for you.



Services

We support your daily operations with customised services tailored to your processes.



Quality

We continuously strive to improve our products, services and ourselves.



Trust

We take responsibility for partnerships, our employees, society and the environment.

Julius Blum started our journey in 1952 with horseshoe studs. Today we supply innovative fittings to customers in over 120 countries.

Julius Blum GmbH
Furniture Fittings Mfg.
6973 Höchst, Austria
Tel.: +43 5578 705-0
Fax: +43 5578 705-44
E-mail: info@blum.com
www.blum.com

Our sites in Austria, Poland and China are certified to the international standards mentioned below.
Our site in the USA is certified to ISO 9001.
Our site in Brazil is certified to ISO 9001, ISO 14001 and ISO 45001.



Look for our
FSC™-certified
products

All content is copyrighted by Blum.
Subject to technical modifications and changes to the range without notice.
IDNR: 583.799.2 · EP-568/1 EN-AL/07.22