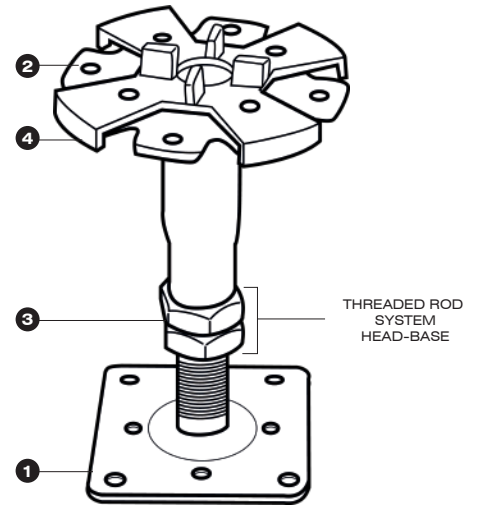


PEDESTAL TH / VF

- 1 BASE VF**
Composed of a square steel plate measuring 76x76mm and 3mm thickness, the base has 8 holes to drain excess of adhesive or allow mechanical anchoring. The centre of the plate is linear welded to a threaded steel rod M-18 of variable height.
- 2 HEAD TH**
Composed of a circular steel plate measuring a diameter of 90mm and 3mm thickness, in the center of the plate is welded a tube with notch and threaded. The head has 8 holes to block conductive gasket/cup and stringers.
- 3 NUTS**
The M-18 rod is provided with 2 Din-439 nuts of galvanized steel. These nuts work as support, leveling and lock assembly at selected height.
- 4 GASKET / CUP**
Made of infilled PVC with an interior diameter of 90mm and 4 contact points between heads and panels.



RANGE PEDESTALS

	FREE HEIGHT		
	HL. MIN	HL. MAX	
TH 35 / VF 55	55	80	FIRE CLASSIFICATION A1 Classified by oficial laboratory melting level of steel 1400 -1500°C
TH 55 / VF 55	75	100	
TH 80 / VF 55	100	125	
TH 80 / VF 120	120	190	VERTICAL LOAD >60 kN
TH 170 / VF 120	190	280	
TH 170 / VF 260	260	415	
TH 390 / VF 260	410	635	PROTECTION CORROSION Galvanized
TH 390 / VF 390	410	765	
TH 390 / VF 450	450	825	
TH 600 / VF 260	620	845	ELECTRIC RESISTANCE Max. conductivity 2,0 Ohms
TH 600 / VF 390	620	970	
TH 600 / VF 450	620	1000	

OTHER POSSIBLE COMBINATIONS UNDER REQUIREMENT

STRINGER T-525

Galvanized steel stringer 1.0mm thickness with acoustic insulation (vibration), clipped to the pedestal. Use in a final height from 350mm.



STRUCTURE FEATURES

LEED CERTIFICATION
Using this system contributes positively when obtaining LEED certifications, national & international.

GUARANTEED LEVELING
The structure has a triple screw system that guarantees the leveling of the complete structure.

SEISMIC SAFETY
The floor system has anti seismic characteristics, guaranteeing the safety of its installation.

SOUND PROOFING
This system has acquired acoustic values that improve the reduction of impact noise and acoustic absorption.

PRODUCTS CERTIFIED BY LABORATORIES

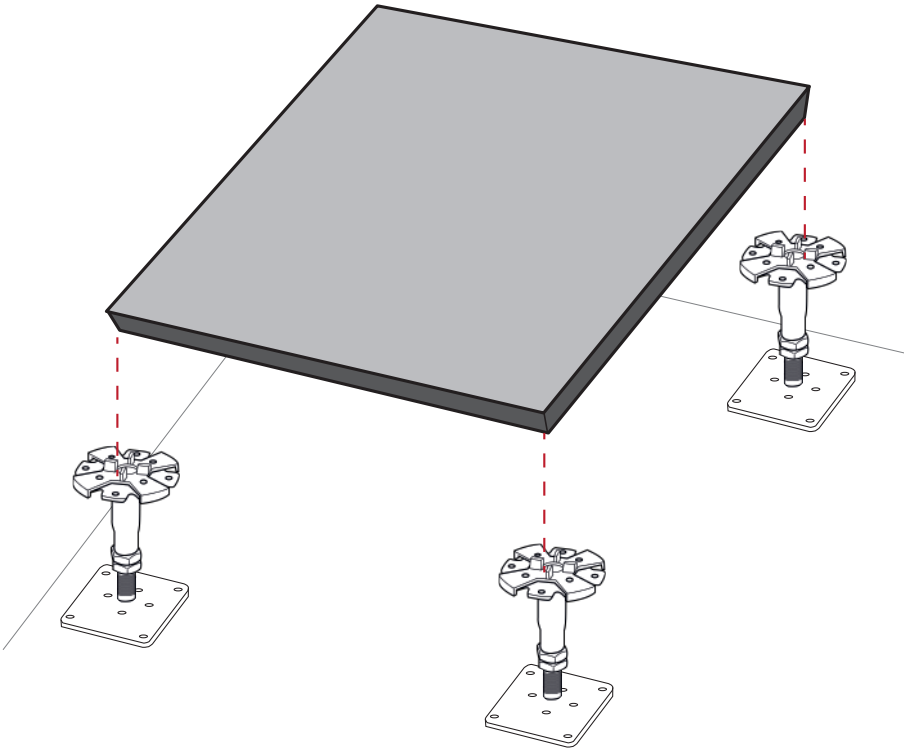


This company reserves the right to make any changes in their product without prior notice.

TECHNICAL DATA **GAMAFLOR STRUCTURE T TH / VF**

STRUCTURE WITHOUT STRINGER

Maximun height 350mm.



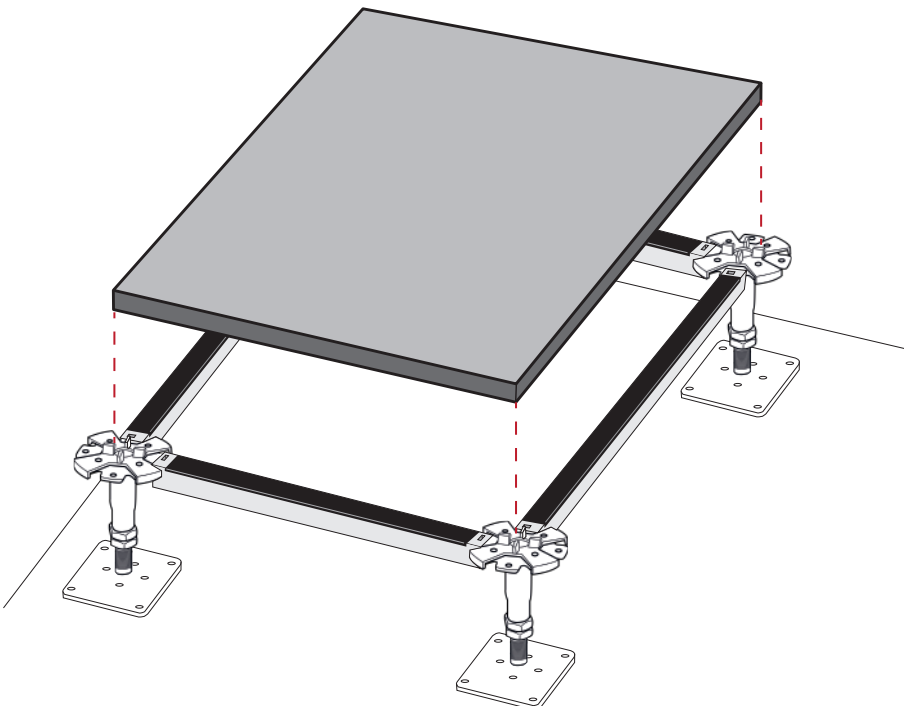
Each tile is supported by a steel structure-pedestal and clipped stringers with different heights so it is possible to access to the space under the floor, that can be used for electric installations, water pipelines, air conditioning, etc.

The election of pedestals depend on necessary maximum and minimum heights (see pedestal range).

The fixation of the pedestal to the floor base will be made with adhesive recommended by the manufacturer. Additionally, the pedestal has the possibility of being mechanically fixed with screws, if required by the client.

STRUCTURE WITH STRINGER

Recomended for height above 350mm.



This company reserves the right to make any changes in their product without prior notice.